

# SPECIFICATIONS

**DESCRIPTION:**

Compact low voltage round step light, with machined cross bars to protect the lens and fixture. Suitable for wet/damp/dry location installations.

**MATERIAL:**

Standard overall material is 6061 aluminum.  
**HL-105** - Machined aluminum trim (Standard)  
**HL-105-1** - Machined stainless steel trim  
**HL-105-2** - Machined brass trim

**FINISH:**

**AA** - Anodized Satin Aluminum  
**AP** - Aluminum Powder Coat  
**BK** - Black Powder Coat  
**BZ** - Bronze Powder Coat  
**WT** - White Powder Coat  
**N** - Natural, for Stainless Steel and Brass

**LAMPING:**

Halogen Lamps  
 Lamp Type - 12V T3 lamp, bi-pin G4 base, 20W max, included (20W Xenon lamp included when halogen is not specified).  
**10** - 10W lamp  
**20** - 20W lamp  
 LED Lamps  
 Lamp Type - High output LED, warm white (3200K CCT) standard, others available.  
**1LED** - 1x1W LED  
**3LED** - 3x1W LED

**VOLTAGE:**

**12** - 12 VAC output transformer required, not included.

**MOUNTING:**

Fixture equipped with 4.75" mounting plate and (2) mounting screws. Mounts directly to standard electrical junction boxes (HL-199-JB).

**OPTIONS:**

Lenses - Standard lens is diffused with internal half shield for reduced lamp glare.  
**90** - Linear spread lens  
**91** - Solite lens  
**92** - Full diffused lens (no half shield)  
**93** - Prismatic lens  
**98** - Internal half shield for above lenses  
 See fixture accessories for more information.

**SAMPLE ORDER SPECIFICATION:**

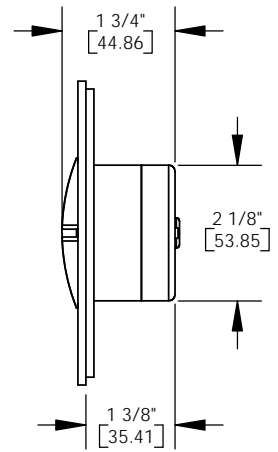
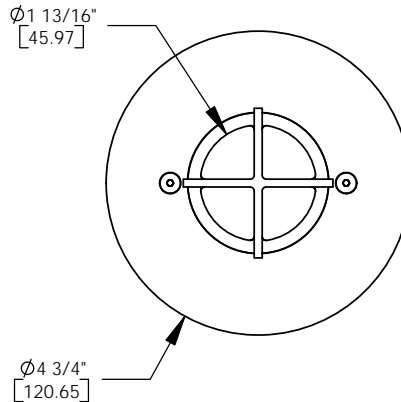
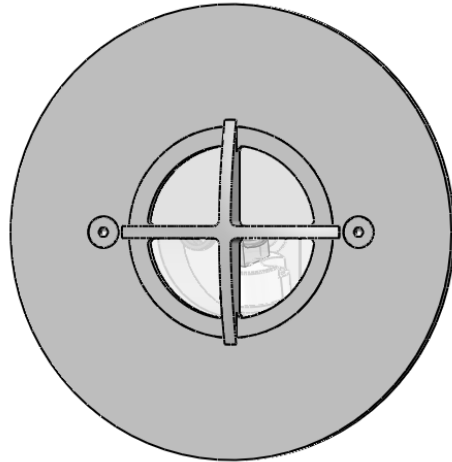
HL-105-1-N-20-12-90

**RATING:**

Wet/damp/dry location.



**MADE IN THE USA**



ORDER SPECIFICATION: \_\_\_\_\_ - \_\_\_\_\_ - \_\_\_\_\_ - \_\_\_\_\_ - \_\_\_\_\_  
Fixture Finish Lamping Voltage Options/Access.

PROJECT:  
 APPROVED:  
 NOTE:  
 TYPE:

**HEVI LITE, INC.**  
 7524 Deering Ave, Canoga Park, CA 91303  
 Tel., (818) 710-0728 - Fax (818) 710-0756  
 Web Site <http://www.hevilite.com>

CATALOG NUMBER:  
**HL-105**