

# SPECIFICATIONS

**DESCRIPTION:**

Compact recessed in grade up light, with adjustable light source. Suitable for wet/damp location installations.

**MATERIAL:**

Standard overall material is 6061 aluminum.  
**HL-810** - Machined Aluminum

**FINISH:**

- AA** - Anodized Satin Aluminum
- AP** - Powder Coat Aluminum
- BK** - Powder Coat Black
- BZ** - Powder Coat Bronze
- WT** - Powder Coat White

**LAMPING:**

Lamp Type - 12V Halogen MR8/11 lamp, bi-pin G4 base, 35W max, not included.

**VOLTAGE:**

**12** - 12 VAC output transformer required, not included.

**MOUNTING:**

Suitable for installation into concrete, masonry, or any other non-combustible materials.

**OPTIONS:**

Lenses/Louvers/Color Filters

- LA-1** - Hexcell Louver (Black)
- LA-2** - Prismatic lens
- LA-3** - Linear spread lens
- LA-4** - Soft focus lens (diffused)
- LA-5** - Moonlight lens
- LA-6** - Blue lens

Other

**LA-9** Louver and lens holder

Pour Housing - Aluminum tube

**HL-10PH** - Aluminum flange

See fixture accessories for more information.

**SAMPLE ORDER SPECIFICATION:**

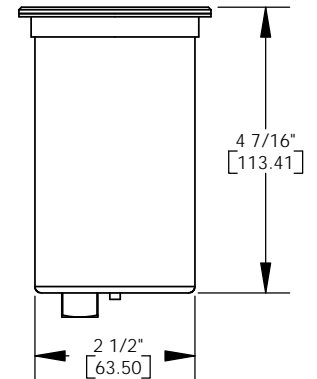
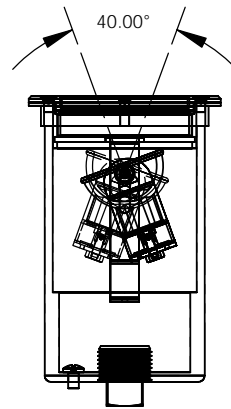
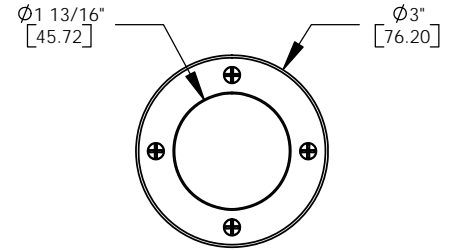
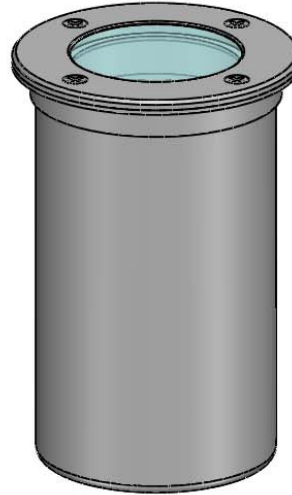
HL-810-AA-12-LA-2-LA-9-HL-10PH

**RATING:**

Wet/damp location.



**MADE IN THE USA**



**ORDER SPECIFICATION:** \_\_\_\_\_ - \_\_\_\_\_ - \_\_\_\_\_ - \_\_\_\_\_ - \_\_\_\_\_  
Fixture Finish Lamping Voltage Options/Access.

**PROJECT:** \_\_\_\_\_  
**APPROVED:** \_\_\_\_\_  
**NOTE:** \_\_\_\_\_  
**TYPE:** \_\_\_\_\_

**HEVI LITE, INC.**  
 7524 Deering Ave, Canoga Park, CA 91303  
 Tel., (818) 710-0728 - Fax (818) 710-0756  
 Web Site <http://www.hevilite.com>

**CATALOG NUMBER:**  
**HL-810**