

LED ACCENT LIGHTS

HL-360-LED

The specification grade LED adjustable accent light. Suitable for wet location installations.

Material:

HL-360-LED - Machined Aluminum, Standard

HL-360-LED-2 - Machined Brass

HL-360-LED-1 - Machined Stainless Steel

Finish:

AA - Anodized Satin Aluminum

AP - Aluminum Powder Coat

BK - Black Powder Coat

BZ - Bronze Powder Coat

WT - White Powder Coat

Lamping:

Lamp Type - High output LED, warm white (3000K CCT) standard, others available.

Wattage:

3LED - 3W LED

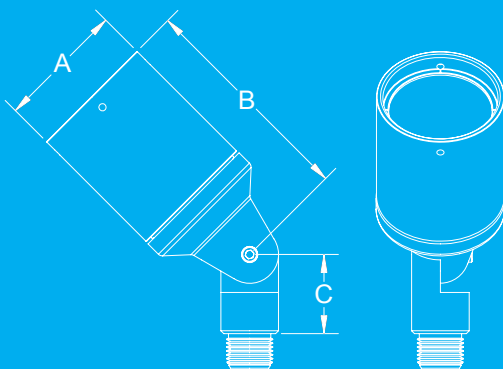
8LED - 8W LED

Voltage:

12 Volts - transformer required, not included

Mounting:

1/2" NPS thread

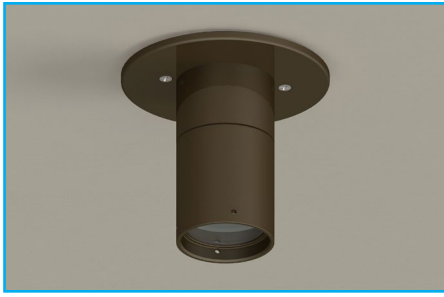


12V	A	B	C
HL-360-LED	2 1/4"	4 3/4"	1 3/8"



HEVI LITE

LED Accent Lights



HL-330-LED

Surface mount LED accent light with a machined 4.75" wall plate. Suitable for wet location installations as an up or down light.

Material:
HL-330-LED - Machined Aluminum, Standard

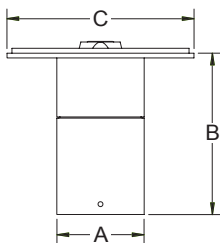
Finish:
AA - Anodized Satin Aluminum
AP - Aluminum Powder Coat
BK - Black Powder Coat
BZ - Bronze Powder Coat
WT - White Powder Coat

Lamping:
LED - High output, warm white (3000K CCT) standard, others available.

Wattage:
3LED - 3W LED
8LED - 8W LED

Voltage:
12 Volts - transformer required, not included

Mounting:
4.75" Mounting plate



12V	A	B	C
HL-330-LED	2 1/4"	4 1/8"	4 3/4"



HL-336-LED

Surface mount LED accent light. Suitable for wet location installations as an up or down light.

Material:
HL-336-LED - Machined Aluminum, Standard
HL-336-LED-2 - Machined Brass

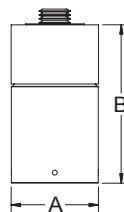
Finish:
AA - Anodized Satin Aluminum
AP - Aluminum Powder Coat
BK - Black Powder Coat
BZ - Bronze Powder Coat
WT - White Powder Coat
N - Natural, for stainless steel & brass

Lamping:
LED - High output, warm white (3000K CCT) standard, others available.

Wattage:
3LED - 3W LED
8LED - 8W LED

Voltage:
12 Volts - transformer required, not included

Mounting:
1/2" NPS thread



12V	A	B	C
HL-336-LED	2 1/4"	4"	



HL-340-LED

Wall mount LED accent light with a machined 4.75" wall plate. Suitable for wet location installations as an up or down light.

Material:
HL-340-LED - Machined Aluminum, Standard

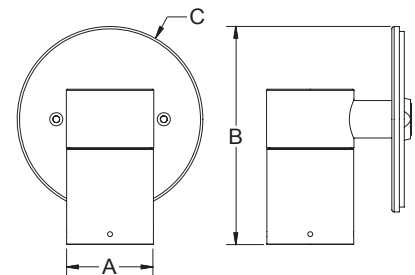
Finish:
AA - Anodized Satin Aluminum
AP - Aluminum Powder Coat
BK - Black Powder Coat
BZ - Bronze Powder Coat
WT - White Powder Coat

Lamping:
LED - High output, warm white (3000K CCT) standard, others available.

Wattage:
3LED - 3W LED
8LED - 8W LED

Voltage:
12 Volts - transformer required, not included

Mounting:
4.75" Wall plate



12V	A	B	C
HL340-LED	2 1/4"	5 5/8"	4 3/4"

LED Accent Lights



HL-340-2X-LED

Wall mount LED up/down accent light. Suitable for wet location installations.

Material:

HL-340-2x-LED - Machined Alum., Standard

Finish:

- AA - Anodized Satin Aluminum
- AP - Aluminum Powder Coat
- BK - Black Powder Coat
- BZ - Bronze Powder Coat
- WT - White Powder Coat

Lamping:

LED - High output, warm white (3000K CCT) standard, others available.

Wattage:

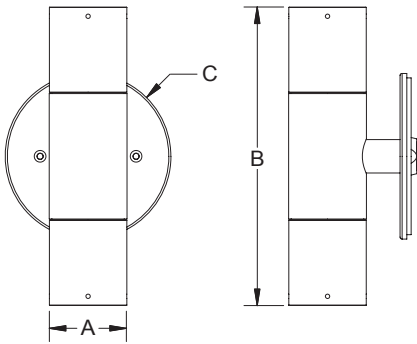
- 3LED - 3W LED
- 8LED - 8W LED

Voltage:

12 Volts - transformer required, not included

Mounting:

4.75" Wall plate



12V	A	B	C
HL-340-2x-LED	2 1/4"	8 9/16"	4 3/4"



HL-367-LED

Adjustable LED accent light with flush lens bezel. Suitable for wet location installations

Material:

- HL-367-LED - Machined Aluminum, Standard
- HL-367-LED-2 - Machined Brass

Finish:

- AA - Anodized Satin Aluminum
- AP - Aluminum Powder Coat
- BK - Black Powder Coat
- BZ - Bronze Powder Coat
- WT - White Powder Coat
- N - Natural, for stainless steel & brass

Lamping:

LED - High output, warm white (3000K CCT) standard, others available.

Wattage:

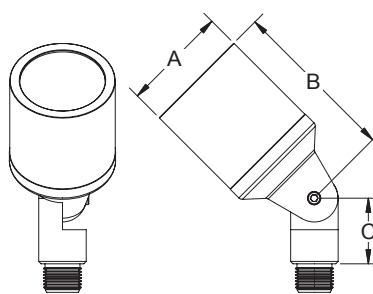
- 3LED - 3W LED
- 8LED - 8W LED

Voltage:

12 Volts - transformer required, not included

Mounting:

1/2" NPS thread



12V	A	B	C
HL-367-LED	2 1/4"	3 7/8"	1 3/8"



HL-368-LED

Adjustable LED accent light with long bezel for reduced visual glare. Suitable for wet location installations.

Material:

- HL-368-LED - Machined Aluminum, Standard
- HL-368-LED-2 - Machined Brass

Finish:

- AA - Anodized Satin Aluminum
- AP - Aluminum Powder Coat
- BK - Black Powder Coat
- BZ - Bronze Powder Coat
- WT - White Powder Coat

Lamping:

LED - High output, warm white (3000K CCT) standard, others available.

Wattage:

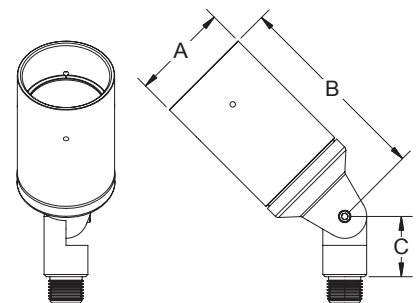
- 3LED - 3W LED
- 8LED - 8W LED

Voltage:

12 Volts - transformer required, not included

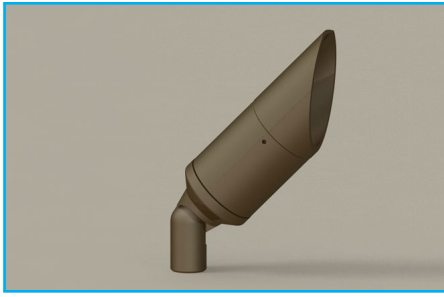
Mounting:

1/2" NPS thread



12V	A	B	C
HL-368-LED	2 11/16"	5 1/8"	1 3/8"

LED Accent Lights



HL-369-LED

Adjustable LED accent light with integral angled glare shield for reduced visual glare. Suitable for wet location installations.

Material:

HL-369-LED - Machined Aluminum, Standard
HL-369-LED-2 - Machined Brass

Finish:

AA - Anodized Satin Aluminum
AP - Aluminum Powder Coat
BK - Black Powder Coat
BZ - Bronze Powder Coat
WT - White Powder Coat
N - Natural, for stainless steel & brass

Lamping:

LED - High output, warm white (3000K CCT) standard, others available.

Wattage:

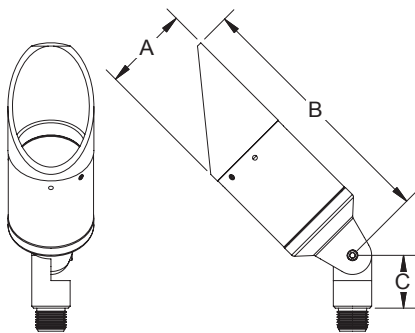
3LED - 3W LED
8LED - 8W LED

Voltage:

12 Volts - transformer required, not included

Mounting:

1/2" NPS thread



12V	A	B	C
HL-367-LED	2 1/4"	6 11/16"	1 3/8"



HL-384-LED

Wall mount adjustable LED accent light with wall plate, canopy, with integral 120/12V electronic transformer. Suitable for wet location installations.

Material:

HL-384-LED - Machined Aluminum, Standard

Finish:

AA - Anodized Satin Aluminum
AP - Aluminum Powder Coat
BK - Black Powder Coat
BZ - Bronze Powder Coat
WT - White Powder Coat

Lamping:

LED - High output, warm white (3000K CCT) standard, others available.

Wattage:

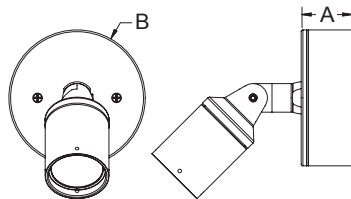
3LED - 3W LED
8LED - 8W LED

Voltage:

120 Volts

Mounting:

4.75" Wall plate



120V	A	B	C
HL-384-LED	1 3/4"	4 3/4"	



HL-384-2x-LED

Dual wall mount adjustable LED accent light with wall plate, canopy, with integral 120/12V electronic transformer. Suitable for wet location installations.

Material:

HL-384-2x-LED - Machined Alum., Standard

Finish:

AA - Anodized Satin Aluminum
AP - Aluminum Powder Coat
BK - Black Powder Coat
BZ - Bronze Powder Coat
WT - White Powder Coat

Lamping:

LED - High output, warm white (3000K CCT) standard, others available.

Wattage:

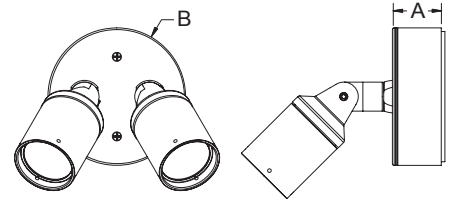
3LED - 3W LED
8LED - 8W LED

Voltage:

120 Volts

Mounting:

4.75" Wall plate



120V	A	B	C
HL-384-2x-LED	1 3/4"	4 3/4"	

HEVI LITE, INC.

TEL 818.341.8091 • FAX 818.998.1986

www.HEVILITE.com

MADE IN THE USA