

SPECIFICATIONS

DESCRIPTION:

Wall mount PAR20 HID metal halide accent fixture. Suitable for wet/damp/dry location installations.

MATERIAL:

Standard overall material is 6061 aluminum.
HL-474 - Machined Aluminum

FINISH:

- AA** - Anodized Satin Aluminum
- AP** - Powder Coat Aluminum
- BK** - Powder Coat Black
- BZ** - Powder Coat Bronze
- WT** - Powder Coat White

LAMPING:

Lamp Type - HID metal halide PAR20 lamps, medium base, not included.

- 20** - 20W lamp/ballast
- 35** - 39W lamp/ballast

VOLTAGE:

Ballast - Remote ballast standard (HL-RB, 3R rated stainless steel enclosure, 7.3"x4.2"x2.1"). HID electronic metal halide ballast included. See Options.

- 120-277** - 120-277V multi-volt ballast

OPTIONS:

Ballast options available in place of HL-RB for direct burial, surface and wall mounting.

- H-POD** - Direct burial ballast.
- SMEB** - Surface mounted ballast.
- WMEB** - Wall mounted ballast.

MOUNTING:

Fixture is equipped with a 4.75" mounting plate and (2) mounting screw.

OPTIONS:

Lenses/Louvers/Color Filters

- LA-1-20** - Hexcell Louver (Black)
- LA-2-20** - Prismatic lens
- LA-3-20** - Linear spread lens
- LA-4-20** - Soft focus lens (diffused)
- LA-5-20** - Moonlight lens
- LA-6-20** - Blue lens

See fixture accessories for more information.

SAMPLE ORDER SPECIFICATION:

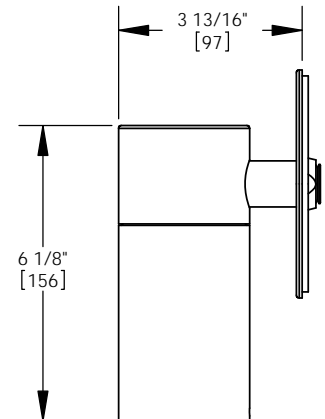
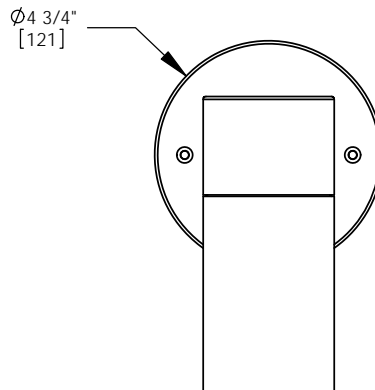
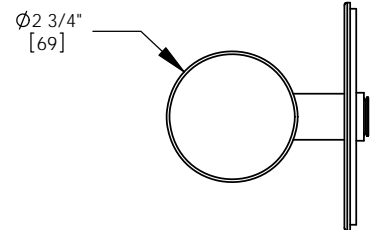
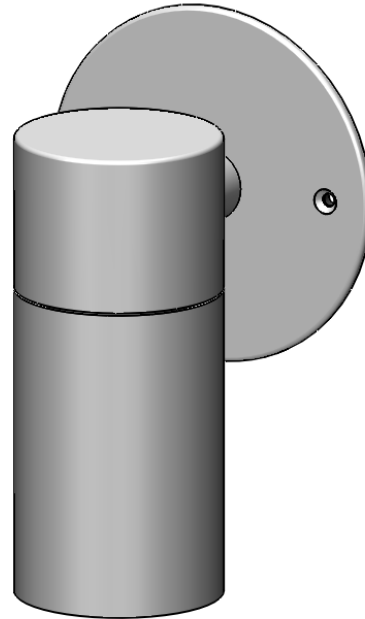
HL-474-AA-35-120-277

RATING:

Wet/damp/dry location.



MADE IN THE USA



ORDER SPECIFICATION: _____ - _____ - _____ - _____ - _____
Fixture Finish Lamping Voltage Options/Access.

PROJECT: _____
APPROVED: _____
NOTE: _____
TYPE: _____

HEVI LITE, INC.
 9714 Variel Ave, Chatsworth, CA 91311
 Tel., (818) 341-8091 - Fax (818) 998-1986
 Web Site <http://www.hevilite.com>

CATALOG NUMBER:
HL-474