

SPECIFICATIONS

DESCRIPTION:

MR16 straight sign light with a 24" stem.
Suitable for wet/damp/dry location installations.

MATERIAL:

Standard overall material is 6061 aluminum.
HL-706 - Machined Aluminum

FINISH:

- AA** - Anodized Satin Aluminum
- AP** - Powder Coat Aluminum
- BK** - Powder Coat Black
- BZ** - Powder Coat Bronze
- WT** - Powder Coat White

HALOGEN LAMPING OPTION:

Lamp Type - 12V halogen MR16 lamp, bi-pin
GX5.3 base, 50W max, not included (standard).

LED OPTIONS

Integral high output LED, warm white 85 CRI (3000K CCT) standard, others available.

- 3LED** - 3W LED - 180 lumens
- 8LED** - 8W LED - 300 lumens
- 8LED-E** - 8.4W LED - 565 lumens

OPTICS

3LED and 8LED:

- SP** - Spot, 12°
- NF** - Narrow Flood, 24°
- FL** - Flood, 36°

8LED-E:

- SP** - Spot 14°
- NF** - Narrow Flood, 25°
- MF** - Medium Flood, 30°
- FL** - Flood, 40°

VOLTAGE:

12 - 12 VAC output transformer required, not included.

MOUNTING:

Fixture is equipped with a 4.75" mounting plate and (2) mounting screws.

OPTIONS:

Glare shields

- GL-10** - Short Angled, aluminum
- GL-11** - Angled, aluminum
- GL-13** - Straight, aluminum

Lenses/Louvers/Color Filters

- LA-1** - Hexcell Louver (Black)
- LA-2** - Prismatic lens
- LA-3** - Linear spread lens
- LA-4** - Soft focus lens (diffused)
- LA-5** - Moonlight lens
- LA-6** - Blue lens

See fixture accessories for more information.

SAMPLE ORDER SPECIFICATION:

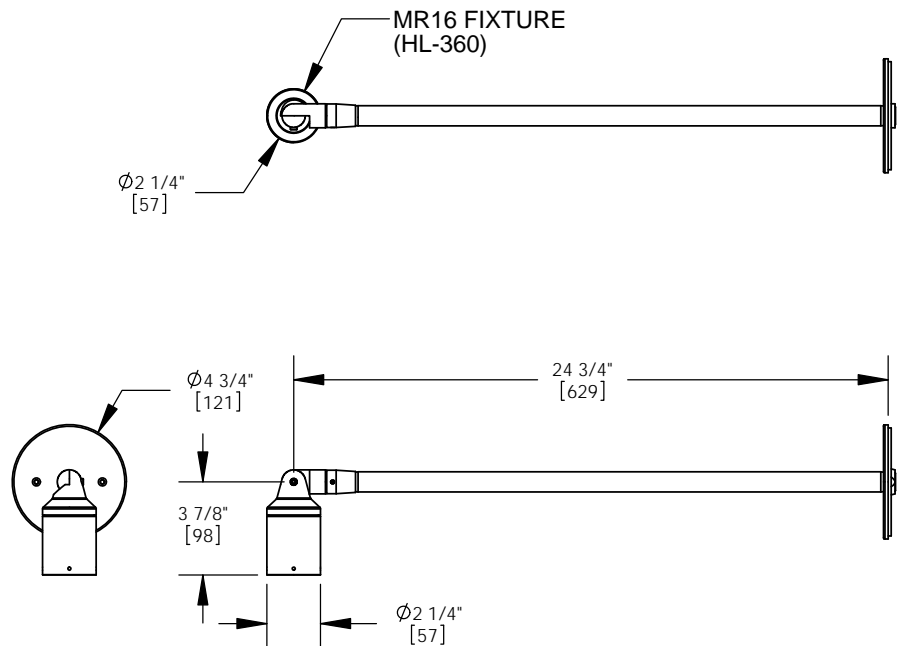
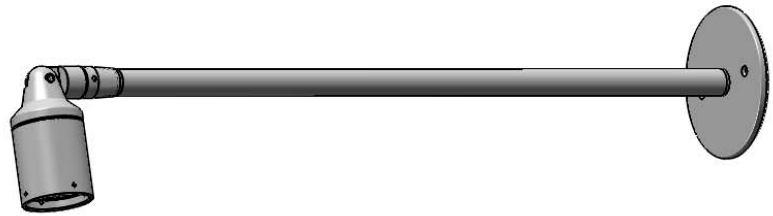
HL-706-AA-12-GL-11-LA-1

RATING:

Wet/damp/dry location.



MADE IN THE USA



ORDER SPECIFICATION: _____
Fixture - Finish - Lamping - Voltage - Options/Access.

PROJECT: _____
 APPROVED: _____
 NOTE: _____
 TYPE: _____

HEVI LITE, INC.
 9714 Variel Ave, Chatsworth, CA 91311
 Tel., (818) 341-8091 - Fax (818) 998-1986
 Web Site <http://www.hevilite.com>

CATALOG NUMBER:
HL-706