

# SPECIFICATIONS

**DESCRIPTION:**

Compact surface mount MR16 accent fixture with a machined mounting plate. Suitable for wet/damp/dry location installations.

**MATERIAL:**

Standard overall material is 6061 aluminum.

- HL-330 - Machined Aluminum
- HL-330-2b - Machined Brass

**FINISH:**

- AA - Anodized Satin Aluminum
- AP - Powder Coat Aluminum
- BK - Powder Coat Black
- BZ - Powder Coat Bronze
- WT - Powder Coat White
- N - Natural, for Stainless Steel and Brass

**HALOGEN LAMPING OPTION:**

Lamp Type - 12V halogen MR16 lamp, bi-pin GX5.3 base, 50W max, not included (standard).

**LED OPTIONS:**

Integral high output LED, warm white 85 CRI (90 available)  
**2700K** or **3000K** Standard (*4000K, 5000K, & 6000K available*)

- 3LED - 3W LED - 180 lumens
- 8LED - 8W LED - 300 lumens
- 8LED-E - 8.4W LED - 565 lumens

**OPTICS**

3LED and 8LED:

- SP - Spot, 12°
- NF - Narrow Flood, 24°
- FL - Flood, 36°

8LED-E:

- SP - Spot 14°
- NF - Narrow Flood, 25°
- MF - Medium Flood, 30°
- FL - Flood, 40°

**VOLTAGE:**

12 - 12 VAC output transformer required, not included.

**MOUNTING:**

Fixture is equipped with 4.75" mounting plate and (2) mounting screws.

**OPTIONS:**

Glare shields

- GL-10 - Short Angled, aluminum
- GL-11 - Angled, aluminum
- GL-12 - Angled, brass
- GL-13 - Straight, aluminum
- GL-14 - Straight, brass

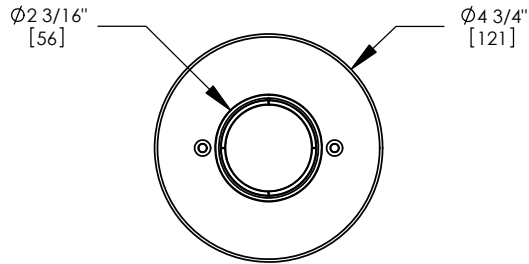
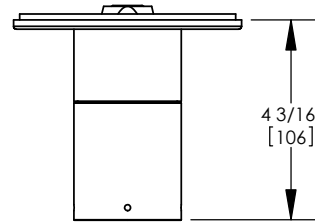
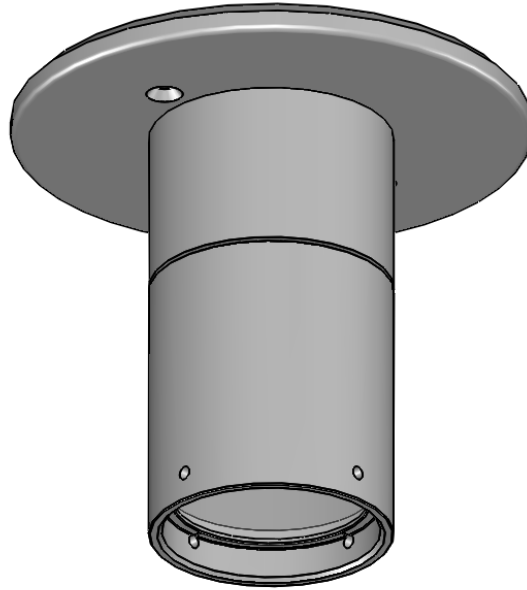
Lenses/Louvers/Color Filters

- LA-1 - Hexcell Louver (Black)
- LA-2 - Prismatic lens
- LA-3 - Linear spread lens
- LA-4 - Soft focus lens (diffused)
- LA-5 - Moonlight lens
- LA-6 - Blue lens

See fixture accessories for more information.

**RATING:**

Wet/damp/dry location.



**MADE IN THE USA**

ORDER SPECIFICATION: \_\_\_\_\_ - \_\_\_\_\_ - \_\_\_\_\_ - \_\_\_\_\_ - \_\_\_\_\_  
Fixture Finish Lamping Voltage Options/Access.

PROJECT:

APPROVED:

NOTE:

TYPE:

**HEVI LITE, INC.**  
 9714 Variel Ave, Chatsworth, CA 91311  
 Tel., (818) 341-8091 - Fax (818) 998-1986  
 Web Site <http://www.hevilite.com>

CATALOG NUMBER:

**HL-330**