

SPECIFICATIONS

DESCRIPTION:

Wall mount MR16 accent fixture. Suitable for wet/damp/dry location installations.

MATERIAL:

Standard overall material is 6061 aluminum.
HL-340 - Machined Aluminum (Standard)
HL-340-2b - Machined Brass

FINISH:

- AA** - Anodized Satin Aluminum
- AP** - Powder Coat Aluminum
- BK** - Powder Coat Black
- BZ** - Powder Coat Bronze
- WT** - Powder Coat White
- N** - Natural, for Stainless Steel and Brass

HALOGEN LAMPING OPTION:

Lamp Type - 12V halogen MR16 lamp, bi-pin GX5.3 base, 50W max, not included (standard).

LED OPTIONS

Integral high output LED, warm white 85 CRI (90 available)
2700K or **3000K** Standard (**4000K**, **5000K**, & **6000K** available)

- 3LED** - 3W LED - 180 lumens
- 8LED** - 8W LED - 300 lumens
- 8LED-E** - 8.4W LED - 565 lumens

OPTICS

3LED and 8LED:

- SP** - Spot, 12°
- NF** - Narrow Flood, 24°
- FL** - Flood, 36°

8LED-E:

- SP** - Spot 14°
- NF** - Narrow Flood, 25°
- MF** - Medium Flood, 30°
- FL** - Flood, 40°

VOLTAGE:

12 - 12 VAC output transformer required, not included.

MOUNTING:

Fixture is equipped with a 4.75" mounting plate and (2) mounting screws.

OPTIONS:

Glare shields

- GL-10** - Short Angled, aluminum
- GL-11** - Angled, aluminum
- GL-12** - Angled, brass
- GL-13** - Straight, aluminum
- GL-14** - Straight, brass

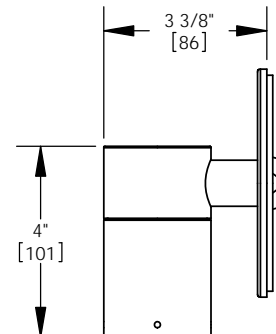
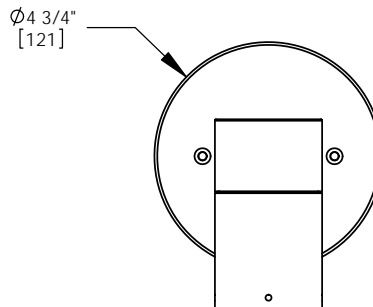
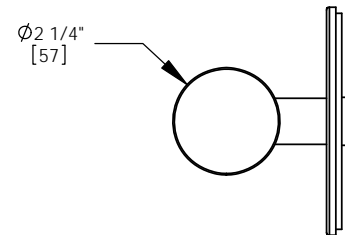
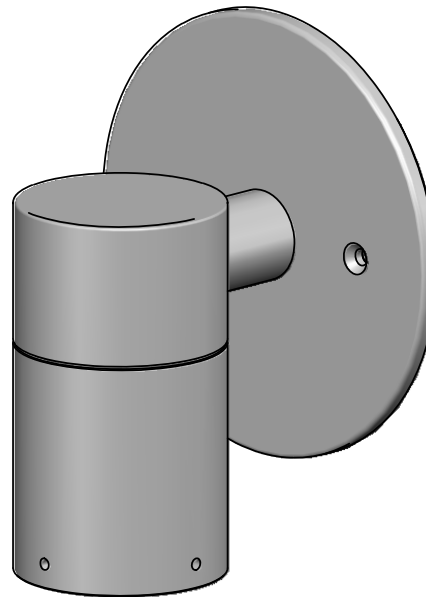
Lenses/Louvers/Color Filters

- LA-1** - Hexcell Louver (Black)
- LA-2** - Prismatic lens
- LA-3** - Linear spread lens
- LA-4** - Soft focus lens (diffused)
- LA-5** - Moonlight lens
- LA-6** - Blue lens

See fixture accessories for more information.

RATING:

Wet/damp/dry location.



MADE IN THE USA

ORDER SPECIFICATION: _____ - _____ - _____ - _____ - _____
Fixture Finish Lamping Voltage Options/Access.

PROJECT: _____
APPROVED: _____
NOTE: _____
TYPE: _____

HEVI LITE, INC.
 9714 Variel Ave, Chatsworth, CA 91311
 Tel., (818) 341-8091 - Fax (818) 998-1986
 Web Site <http://www.hevilite.com>

CATALOG NUMBER:
HL-340