

SPECIFICATIONS

DESCRIPTION:

Wall mount square MR16 accent fixture.
Suitable for wet/damp/dry location installations.

MATERIAL:

Standard overall material is 6061 aluminum.
HL-340S - Machined Aluminum (Standard)

FINISH:

- AA - Anodized Satin Aluminum
- AP - Powder Coat Aluminum
- BK - Powder Coat Black
- BZ - Powder Coat Bronze
- WT - Powder Coat White

HALOGEN LAMPING OPTION

Lamp Type - 12V halogen MR16 lamp, bi-pin GX5.3 base, 50W max, not included (standard).

LED OPTIONS

Integral high output LED, warm white 85 CRI (90 available)
2700K or **3000K** Standard (**4000K**, **5000K**, & **6000K** available)

- 3LED** - 3W LED - 180 lumens
- 8LED** - 8W LED - 300 lumens
- 8LED-E** - 8.4W LED - 565 lumens

OPTICS

- 3LED and 8LED:
 - SP** - Spot, 12°
 - NF** - Narrow Flood, 24°
 - FL** - Flood, 36°
- 8LED-E:
 - SP** - Spot 14°
 - NF** - Narrow Flood, 25°
 - MF** - Medium Flood, 30°
 - FL** - Flood, 40°

VOLTAGE:

12 - 12 VAC output transformer required, not included.

MOUNTING:

Fixture is equipped with a 4.75" mounting plate and (2) mounting screws.

OPTIONS:

- Lenses/Louvers/Color Filters
 - LA-1** - Hexcell Louver (Black)
 - LA-2** - Prismatic lens
 - LA-3** - Linear spread lens
 - LA-4** - Soft focus lens (diffused)
 - LA-5** - Moonlight lens
 - LA-6** - Blue lens

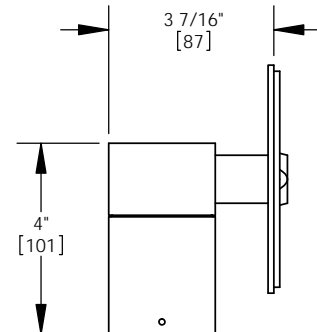
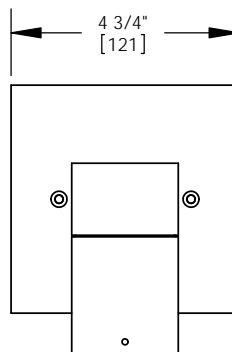
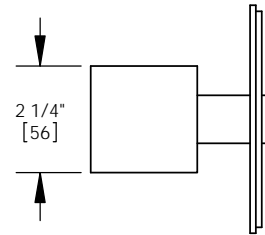
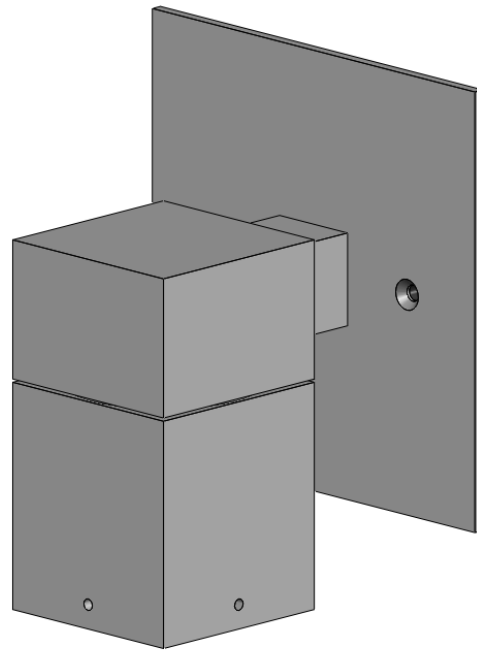
See fixture accessories for more information.

RATING:

Wet/damp/dry location.



MADE IN THE USA



ORDER SPECIFICATION: _____ - _____ - _____ - _____ - _____
Fixture Finish Lamping Voltage Options/Access.

PROJECT: _____
 APPROVED: _____
 NOTE: _____
 TYPE: _____

HEVI LITE, INC.
 9714 Variel Ave, Chatsworth, CA 91311
 Tel., (818) 341-8091 - Fax (818) 998-1986
 Web Site <http://www.hevilite.com>

CATALOG NUMBER:
HL-340S