

SPECIFICATIONS

DESCRIPTION:

Compact MR16 adjustable square accent fixture. Suitable for wet/damp/dry location installations.

MATERIAL:

Standard overall material is 6061 aluminum.
HL-360S - Machined Aluminum (Standard)
HL-360S-1 - Machined Stainless Steel
HL-360S-2b - Machined Brass

FINISH:

AA - Anodized Satin Aluminum
AP - Powder Coat Aluminum
BK - Powder Coat Black
BZ - Powder Coat Bronze
WT - Powder Coat White
N - Natural, for Stainless Steel and Brass

HALOGEN LAMPING OPTION:

Lamp Type - 12V halogen MR16 lamp, bi-pin GX5.3 base, 50W max, not included (standard).

LED OPTIONS:

Integral high output LED, warm white 85 CRI (90 available)
2700K or **3000K** Standard (**4000K**, **5000K**, & **6000K** available)

3LED - 3W LED - 180 lumens
8LED - 8W LED - 300 lumens
8LED-E - 8.4W LED - 565 lumens

OPTICS

3LED and 8LED:
SP - Spot, 12°
NF - Narrow Flood, 24°
FL - Flood, 36°
 8LED-E:
SP - Spot 14°
NF - Narrow Flood, 25°
MF - Medium Flood, 30°
FL - Flood, 40°

VOLTAGE:

12 - 12 VAC output transformer required, not included.

MOUNTING:

Fixture is designed with a 1/2-NPS adjustable mounting stem.

OPTIONS:

Lenses/Louvers/Color Filters
LA-1 - Hexcell Louver (Black)
LA-2 - Prismatic lens
LA-3 - Linear spread lens
LA-4 - Soft focus lens (diffused)
LA-5 - Moonlight lens
LA-6 - Blue lens

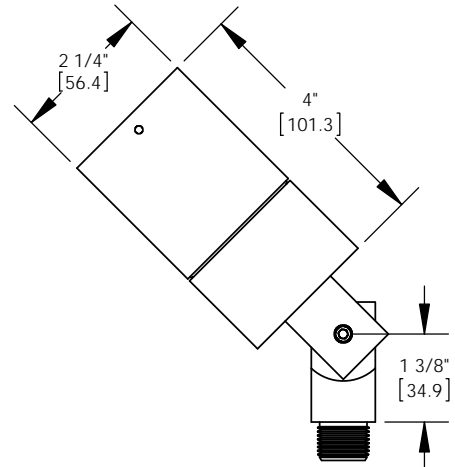
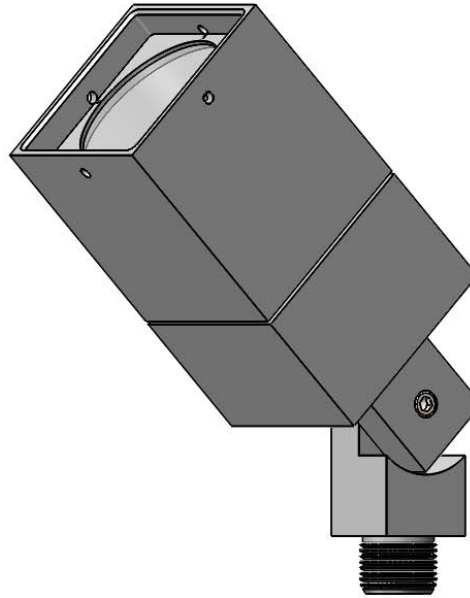
See fixture accessories for more information.

RATING:

Wet/damp/dry location.



MADE IN THE USA



ORDER SPECIFICATION: _____ - _____ - _____ - _____ - _____
Fixture Finish Lamping Voltage Options/Access.

PROJECT: _____
APPROVED: _____
NOTE: _____
TYPE: _____

HEVI LITE, INC.
 9714 Variel Ave, Chatsworth, CA 91311
 Tel., (818) 341-8091 - Fax (818) 998-1986
 Web Site <http://www.hevilite.com>

CATALOG NUMBER:
HL-360S