

# SPECIFICATIONS

**DESCRIPTION:**

Compact MR16 adjustable accent fixture with flush bezel. Suitable for wet/damp/dry location installations.

**MATERIAL:**

Standard overall material is 6061 aluminum.

- HL-367** - Machined Aluminum (Standard)
- HL-367-2b** - Machined Brass

**FINISH:**

- AA** - Anodized Satin Aluminum
- AP** - Powder Coat Aluminum
- BK** - Powder Coat Black
- BZ** - Powder Coat Bronze
- WT** - Powder Coat White
- N** - Natural, for Stainless Steel and Brass

**HALOGEN LAMPING OPTION:**

Lamp Type - 12V halogen MR16 lamp, bi-pin GX5.3 base, 50W max, not included (standard).

**LED OPTIONS:**

Integral high output LED, warm white 85 CRI (90 available)  
**2700K** or **3000K** Standard (**4000K**, **5000K**, & **6000K** available)  
**3LED** - 3W LED - 180 lumens  
**8LED** - 8W LED - 300 lumens  
**8LED-E** - 8.4W LED - 565 lumens

**OPTICS**

- 3LED and 8LED:  
**SP** - Spot, 12°  
**NF** - Narrow Flood, 24°  
**FL** - Flood, 36°  
 8LED-E:  
**SP** - Spot 14°  
**NF** - Narrow Flood, 25°  
**MF** - Medium Flood, 30°  
**FL** - Flood, 40°

**VOLTAGE:**

12 - 12 VAC output transformer required, not included.

**MOUNTING:**

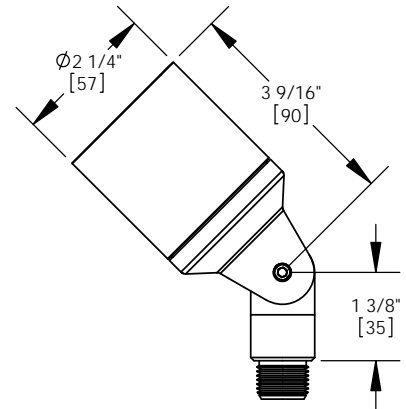
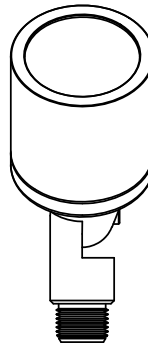
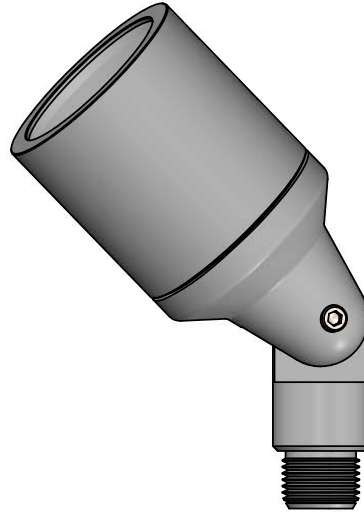
Fixture is designed with a 1/2-NPS adjustable mounting stem.

**OPTIONS:**

- Glare shields  
**GL-10** - Short Angled, aluminum  
**GL-11** - Angled, aluminum  
**GL-12** - Angled, brass  
**GL-13** - Straight, aluminum  
**GL-14** - Straight, brass  
 Lenses/Louvers/Color Filters  
**LA-1** - Hexcell Louver (Black)  
**LA-2** - Prismatic lens  
**LA-3** - Linear spread lens  
**LA-4** - Soft focus lens (diffused)  
**LA-5** - Moonlight lens  
**LA-6** - Blue lens

See fixture accessories for more information.

**RATING:** Wet/damp/dry location.



**MADE IN THE USA**

**ORDER SPECIFICATION:** \_\_\_\_\_ - \_\_\_\_\_ - \_\_\_\_\_ - \_\_\_\_\_ - \_\_\_\_\_  
Fixture Finish Lamping Voltage Options/Access.

**PROJECT:** \_\_\_\_\_  
**APPROVED:** \_\_\_\_\_  
**NOTE:** \_\_\_\_\_  
**TYPE:** \_\_\_\_\_

**HEVI LITE, INC.**  
 9714 Variel Ave, Chatsworth, CA 91311  
 Tel., (818) 341-8091 - Fax (818) 998-1986  
 Web Site <http://www.hevilite.com>

**CATALOG NUMBER:**  
**HL-367**