

SPECIFICATIONS

DESCRIPTION:

Adjustable MR16 accent fixture with integral transformer. Suitable for wet/damp/dry location installations.

MATERIAL:

Standard overall material is 6061 aluminum.
HL-380 - Machined Aluminum

FINISH:

- AA** - Anodized Satin Aluminum
- AP** - Powder Coat Aluminum
- BK** - Powder Coat Black
- BZ** - Powder Coat Bronze
- WT** - Powder Coat White

HALOGEN LAMPING OPTION:

Lamp Type - 12V halogen MR16 lamp, bi-pin GX5.3 base, 50W max, not included (standard).

LED OPTIONS:

Integral high output LED, warm white 85 CRI (90 available)
2700K or **3000K** Standard (**4000K**, **5000K**, & **6000K** available)

- 3LED** - 3W LED - 180 lumens
- 8LED** - 8W LED - 300 lumens
- 8LED-E** - 8.4W LED - 565 lumens

OPTICS

3LED and 8LED:

- SP** - Spot, 12°
- NF** - Narrow Flood, 24°
- FL** - Flood, 36°

8LED-E:

- SP** - Spot 14°
- NF** - Narrow Flood, 25°
- MF** - Medium Flood, 30°
- FL** - Flood, 40°

VOLTAGE:

120 -120/12 VAC potted integral magnetic transformer.

MOUNTING:

Fixture is designed with a 1/2-NPS adjustable mounting stem.

OPTIONS:

Glare shields

GL-380 - Angled, aluminum

GL-381 - Straight, aluminum

Lenses/Louvers Color Filters

LA-1-20 - Hexcell Louver (Black)

LA-2-20 - Prismatic lens

LA-3-20 - Linear spread lens

LA-4-20 - Soft focus lens (diffused)

LA-5-20 - Moonlight lens

LA-6-20 - Blue lens

See fixture accessories for more information.

SAMPLE ORDER SPECIFICATION:

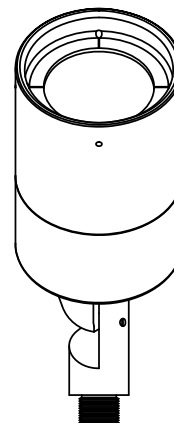
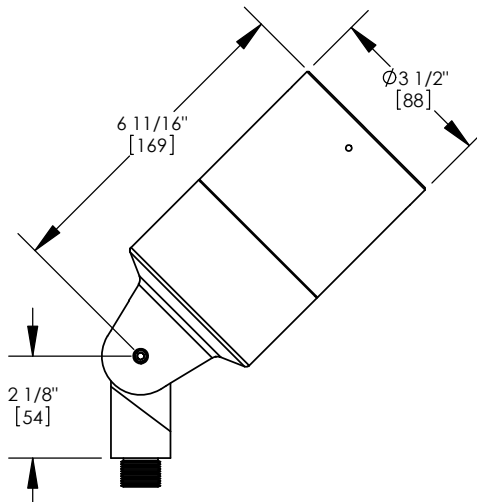
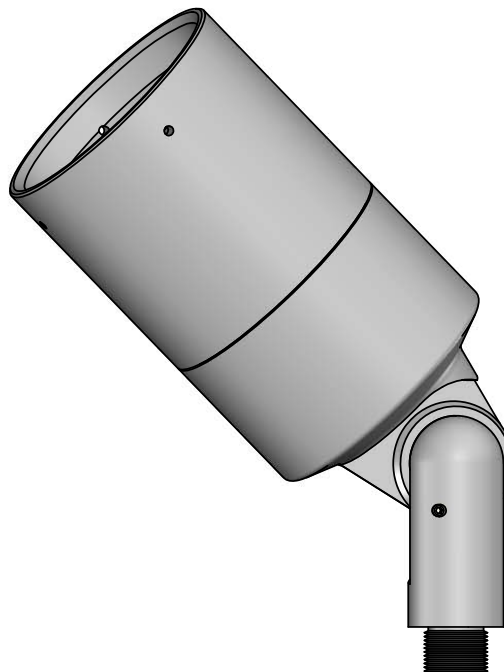
HL-380-AA-120-GL-380-LA-2-20

RATING:

Wet/damp/dry location.



MADE IN THE USA



ORDER SPECIFICATION: _____ - _____ - _____ - _____ - _____
Fixture Finish Lamping Voltage Options/Access.

PROJECT: _____
 APPROVED: _____
 NOTE: _____
 TYPE: _____

HEVI LITE, INC.
 9714 Variel Ave, Chatsworth, CA 91311
 Tel., (818) 341-8091 - Fax (818) 998-1986
 Web Site <http://www.hevilite.com>

CATALOG NUMBER:
HL-380