

# SPECIFICATIONS

**DESCRIPTION:**

Dual adjustable MR16 wall mount fixture with integral 120/12V or 277/12V transformer canopy. Suitable for wet/damp/dry location installations.

**MATERIAL:**

Standard overall material is 6061 aluminum.  
**HL-384-2X** - Machined Aluminum

**FINISH:**

- AA** - Anodized Satin Aluminum
- AP** - Powder Coat Aluminum
- BK** - Powder Coat Black
- BZ** - Powder Coat Bronze
- WT** - Powder Coat White

**HALOGEN LAMPING OPTION:**

Lamp Type - 12V halogen MR16 lamp, bi-pin GX5.3 base, 50W max, not included (standard).

**LED OPTIONS:**

Integral high output LED, warm white 85 CRI (90 available)  
**2700K** or **3000K** Standard (**4000K**, **5000K**, & **6000K** available)

- 3LED** - 3W LED - 180 lumens
- 8LED** - 8W LED - 300 lumens
- 8LED-E** - 8.4W LED - 565 lumens

**OPTICS**

- 3LED and 8LED:
  - SP** - Spot, 12°
  - NF** - Narrow Flood, 24°
  - FL** - Flood, 36°
- 8LED-E:
  - SP** - Spot 14°
  - NF** - Narrow Flood, 25°
  - MF** - Medium Flood, 30°
  - FL** - Flood, 40°

**VOLTAGE:**

- 120** - 120/12 VAC transformer included.
- 277** - 277/12 VAC transformer included.

**MOUNTING:**

Fixture is equipped with a 4.75" mounting canopy and (2) mounting screws.

**OPTIONS:**

- Glare shields
    - GL-10** - Short Angled, aluminum
    - GL-11** - Angled, aluminum
    - GL-13** - Straight, aluminum
  - Lenses/Louvers/Color Lenses
    - LA-1** - Hexcell Louver (Black)
    - LA-2** - Prismatic lens
    - LA-3** - Linear spread lens
    - LA-4** - Soft focus lens (diffused)
    - LA-5** - Moonlight lens
    - LA-6** - Blue lens
- See fixture accessories for more information.

**SAMPLE ORDER SPECIFICATION:**

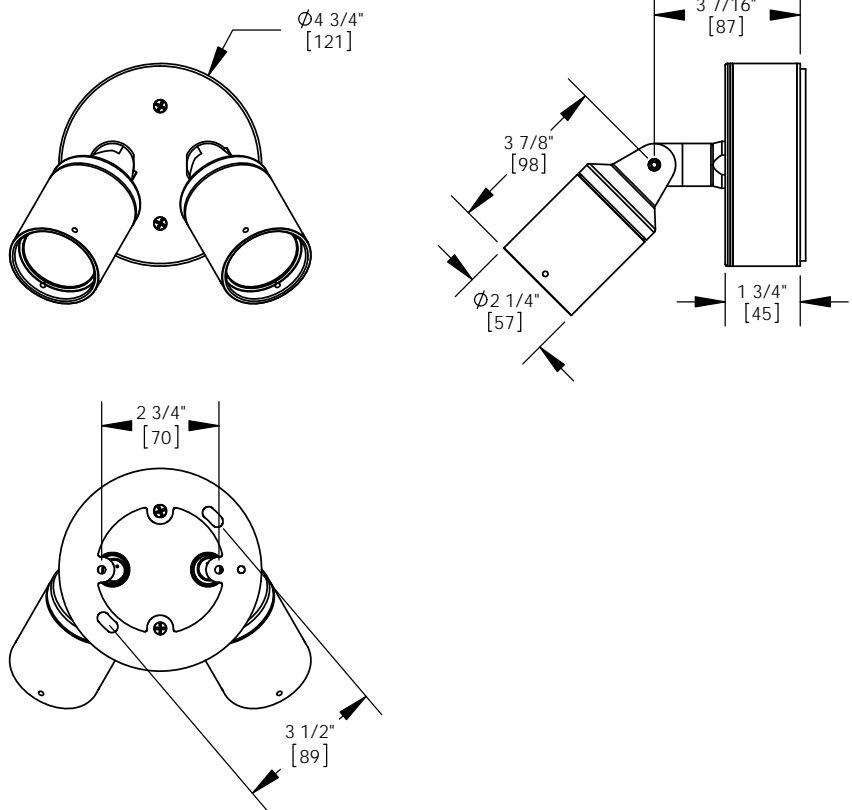
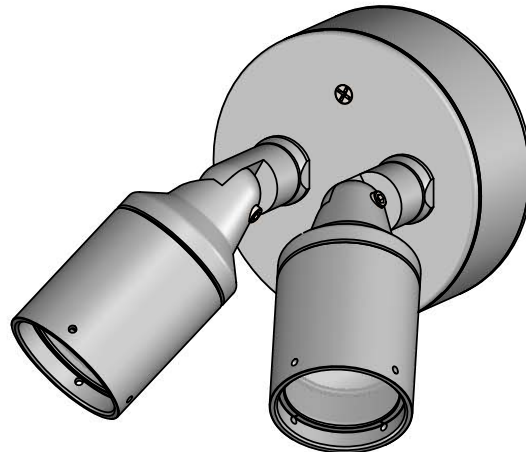
HL-384-2X-AA-120-LA-5

**RATING:**

Wet/damp/dry location.



**MADE IN THE USA**



**ORDER SPECIFICATION:** \_\_\_\_\_ - \_\_\_\_\_ - \_\_\_\_\_ - \_\_\_\_\_ - \_\_\_\_\_  
Fixture Finish Lamping Voltage Options/Access.

**PROJECT:**

**APPROVED:**

**NOTE:**

**TYPE:**

**HEVI LITE, INC.**  
 9714 Variel Ave, Chatsworth, CA 91311  
 Tel., (818) 341-8091 - Fax (818) 998-1986  
 Web Site <http://www.hevilite.com>

CATALOG NUMBER:

**HL-384-2X**