

# SPECIFICATIONS

**DESCRIPTION:**

Stainless steel triple prong grounding spike with wiring compartment. Suitable for wet/damp/dry location installations.

**MATERIAL:**

Standard overall material is stainless steel, with an aluminum wiring box.

**GM-4**

**FINISH:**

**BZ** - Powder Coat Bronze

**VOLTAGE:**

Spike has an Integral wiring compartment suitable for low voltage (12V) fixtures and (1) water tight cord grip.

**MOUNTING:**

Spike has (1) 1/2-NPS mount.

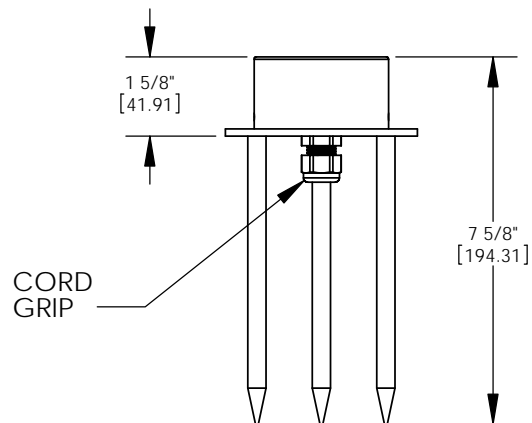
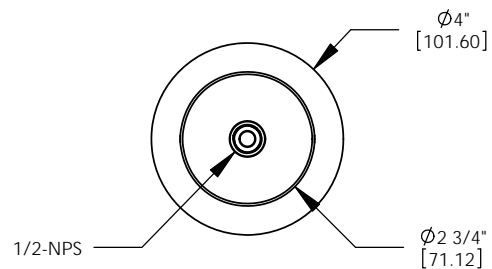
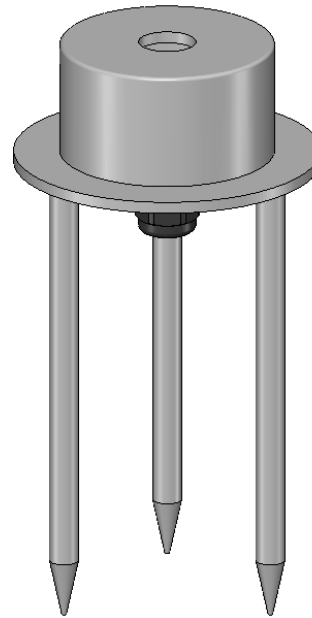
**SAMPLE ORDER SPECIFICATION:**

GM-4-BZ

**RATING:**

Wet/damp/dry location.

**MADE IN THE USA**



ORDER SPECIFICATION: \_\_\_\_\_ - \_\_\_\_\_ - \_\_\_\_\_ - \_\_\_\_\_ - \_\_\_\_\_  
Fixture Finish Lamping Voltage Options/Access.

PROJECT:  
 APPROVED:  
 NOTE:  
 TYPE:

**HEVI LITE, INC.**  
 9714 Variel Ave, Chatsworth, CA 91311  
 Tel., (818) 341-8091 - Fax (818) 998-1986  
 Web Site <http://www.hevilite.com>

CATALOG NUMBER:  
**GM-4**