

# SPECIFICATIONS

**DESCRIPTION:**

Recessed low voltage halogen steplight.  
Suitable for wet/damp/dry location installations.

**MATERIAL:**

Standard overall material is 6061 aluminum.  
**HL-108** - Machined Aluminum

**FINISH:**

- AA** - Anodized Satin Aluminum
- AP** - Aluminum Powder Coat
- BK** - Black Powder Coat
- BZ** - Bronze Powder Coat
- WT** - White Powder Coat

**LAMPING:**

Lamp Type - 12V T3 lamp, bi-pin G4 base,  
20W max, included (20W Xenon lamp included when halogen is not specified).  
**10** - 10W lamp  
**20** - 20W lamp

**VOLTAGE:**

**12** - 12 VAC output transformer required, not included.

**MOUNTING:**

Fixture equipped with 4.75" mounting plate and (2) mounting screws. Mounts directly to standard electrical junction boxes (HL-199-JB).

**OPTIONS:**

Lenses - Standard lens is diffused with internal half shield for reduced lamp glare.  
**90** - Linear spread lens  
**91** - Solite lens  
**93** - Prismatic lens  
See fixture accessories for more information.

**SAMPLE ORDER SPECIFICATION:**

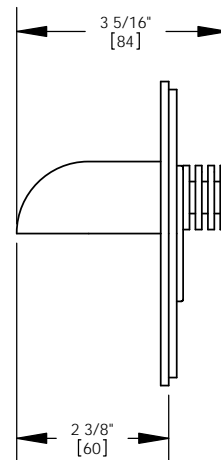
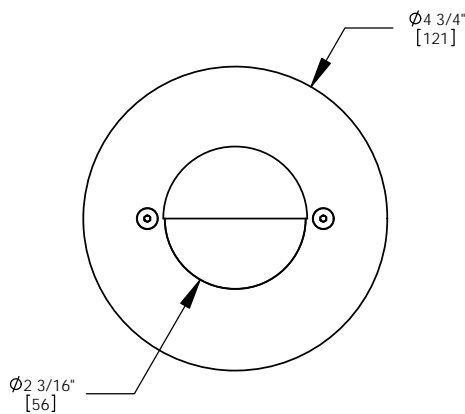
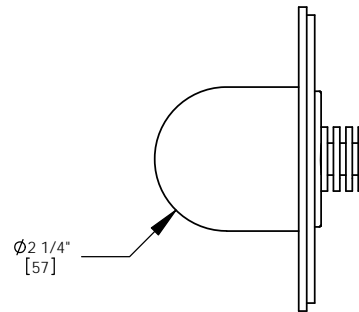
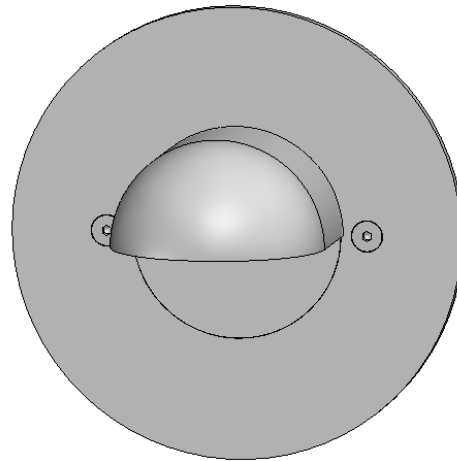
HL-108-AA-20-12-91

**RATING:**

Wet/damp/dry location.



**MADE IN THE USA**



**ORDER SPECIFICATION:** \_\_\_\_\_ - \_\_\_\_\_ - \_\_\_\_\_ - \_\_\_\_\_ - \_\_\_\_\_  
Fixture Finish Lamping Voltage Options/Access.

**PROJECT:** \_\_\_\_\_  
**APPROVED:** \_\_\_\_\_  
**NOTE:** \_\_\_\_\_  
**TYPE:** \_\_\_\_\_

**HEVI LITE, INC.**  
 9714 Variel Ave, Chatsworth, CA 91311  
 Tel., (818) 341-8091 - Fax (818) 998-1986  
 Web Site <http://www.hevilite.com>

CATALOG NUMBER:

**HL-108**