

SPECIFICATIONS

DESCRIPTION:

Compact low voltage square step light, with machined eye lid. Suitable for wet/damp/dry location installations.

MATERIAL:

Standard overall material is 6061 aluminum.
HL-117 - Machined aluminum trim (Standard)
HL-117-1 - Machined stainless steel trim
HL-117-2 - Machined brass trim

FINISH:

AA - Anodized Satin Aluminum
AP - Aluminum Powder Coat
BK - Black Powder Coat
BZ - Bronze Powder Coat
WT - White Powder Coat
N - Natural, for Stainless Steel and Brass

HALOGEN LAMPING OPTION:

Lamp Type - 12V T3 lamp, bi-pin G4 base, 20W max, included (20W Xenon lamp included when halogen is not specified).
10 - 10W lamp
20 - 20W lamp

LED OPTIONS:

Integral high output LED, warm white (3000K CCT) standard, others available.
1LED - 1W LED
3LED - 3W LED

VOLTAGE:

12 - 12 VAC output transformer required, not included.

MOUNTING:

Fixture equipped with 4.75" mounting plate and (2) mounting screws. Mounts directly to standard electrical junction boxes (HL-199-JB).

OPTIONS:

Lenses - Standard lens is diffused for reduced lamp glare.
90 - Linear spread lens
91 - Solite lens
93 - Prismatic lens
 See fixture accessories for more information.

SAMPLE ORDER SPECIFICATION:

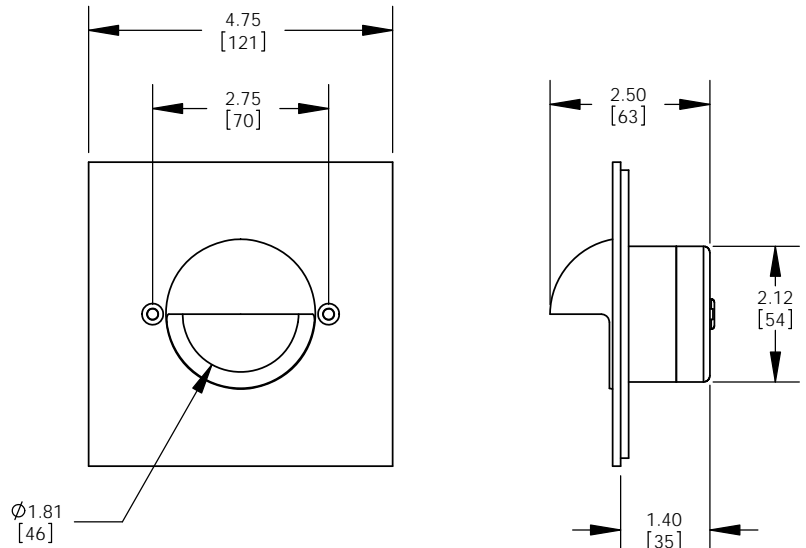
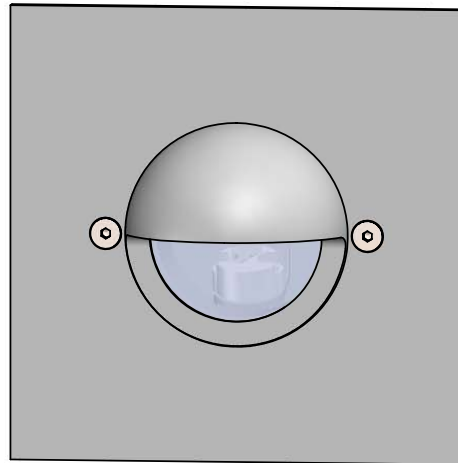
HL-117-1-N-20-12-90

RATING:

Wet/damp/dry location.



MADE IN THE USA



ORDER SPECIFICATION: _____ - _____ - _____ - _____ - _____
Fixture Finish Lamping Voltage Options/Access.

PROJECT: _____
 APPROVED: _____
 NOTE: _____
 TYPE: _____

HEVI LITE, INC.
 9714 Variel Ave, Chatsworth, CA 91311
 Tel., (818) 341-8091 - Fax (818) 998-1986
 Web Site <http://www.hevilite.com>

CATALOG NUMBER:
HL-117