

SPECIFICATIONS

DESCRIPTION:

Specification grade round step light with machined cross guard to protect the lens and fixture. Suitable for wet/damp/dry location installations.

MATERIAL:

- Standard overall material is 6061 aluminum.
- HL-210** - Machined aluminum trim (Standard)
- HL-210-1** - Machined stainless steel trim
- HL-210-2** - Machined brass trim

FINISH:

- AA** - Anodized Satin Aluminum
- AP** - Powder Coat Aluminum
- BK** - Powder Coat Black
- BZ** - Powder Coat Bronze
- WT** - Powder Coat White
- N** - Natural, for Stainless Steel and Brass

HALOGEN LAMPING OPTION:

Lamp Type - 12V halogen T3 lamp, bi-pin G4 base, 12V-50W max, 120V-35W max (20W xenon lamp included when not specified).

- 10** - 10W bi-pin lamp
- 20** - 20W bi-pin lamp
- 35** - 35W bi-pin lamp
- 50** - 50W bi-pin lamp (12V unit only)

LED OPTIONS:

Integral high output LED, warm white (3000K CCT) standard, others available.

- 3LED** - 3W LED - 93 lumens
- 8LED** - 8W LED - 154 lumens

VOLTAGE:

- 12** - 12 VAC output transformer required, not included.
- 120** - 120 VAC (integral transformer)

MOUNTING:

Suitable for installation into concrete, masonry, or any non-combustible material. Fixture is equipped with two 1/2-NPS hubs.

OPTIONS:

Lenses - Standard lens is diffused with internal half shield for reduced lamp glare.

- 90** - Linear spread lens
- 91** - Solite lens
- 92** - Full diffused lens (no half shield)
- 93** - Prismatic lens
- 98** - Internal half shield for above lenses

See fixture accessories for more information.

SAMPLE ORDER SPECIFICATION:

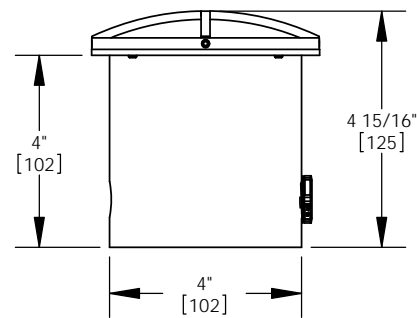
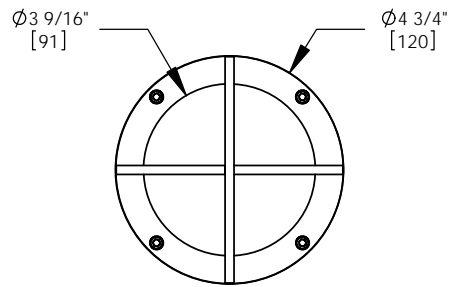
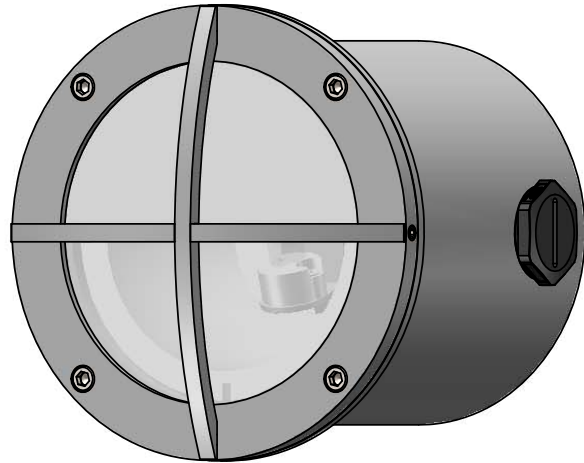
- HL-210-1-N-50-12-90
- HL-210-BZ-35-120-92

RATING:

Wet/damp/dry location.



MADE IN THE USA



ORDER SPECIFICATION: _____ - _____ - _____ - _____ - _____
Fixture Finish Lamping Voltage Options/Access.

PROJECT: _____
APPROVED: _____
NOTE: _____
TYPE: _____

HEVI LITE, INC.
 9714 Variel Ave, Chatsworth, CA 91311
 Tel., (818) 341-8091 - Fax (818) 998-1986
 Web Site <http://www.hevilite.com>

CATALOG NUMBER:
HL-210