

SPECIFICATIONS

DESCRIPTION:

Specification grade square step light with machined eyelid. Suitable for wet/damp/dry location installations.

MATERIAL:

Standard overall material is 6061 aluminum.
HL-280 - Machined aluminum trim (Standard)
HL-280-1 - Machined stainless steel trim
HL-280-2 - Machined brass trim

FINISH:

AA - Anodized Satin Aluminum
AP - Powder Coat Aluminum
BK - Powder Coat Black
BZ - Powder Coat Bronze
WT - Powder Coat White
N - Natural, for Stainless Steel and Brass

HALOGEN LAMPING OPTION:

Lamp Type - 12V halogen T3 lamp, bi-pin G4 base, 12V-50W max, 120V-35W max (20W xenon lamp included when not specified).

10 - 10W bi-pin lamp
20 - 20W bi-pin lamp
35 - 35W bi-pin lamp
50 - 50W bi-pin lamp (12V unit only)

LED OPTIONS:

Integral high output LED, warm white (3000K CCT) standard, others available.

3LED - 3W LED - 93 lumens
8LED - 8W LED - 154 lumens

VOLTAGE:

12 - 12 VAC output transformer required, not included.
120 - 120 VAC (integral transformer)

MOUNTING:

Suitable for installation into concrete, masonry, or any non-combustible material. Fixture is equipped with two 1/2-NPS hubs.

OPTIONS:

Lenses - Standard lens is diffused for reduced lamp glare.

90 - Linear spread lens
91 - Solite lens
93 - Prismatic lens

See fixture accessories for more information.

SAMPLE ORDER SPECIFICATION:

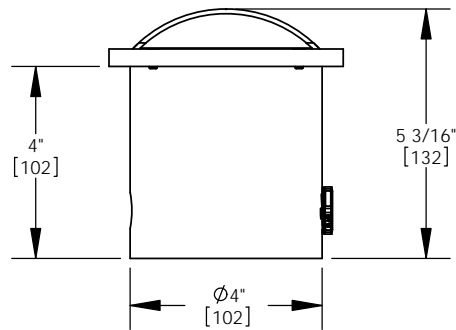
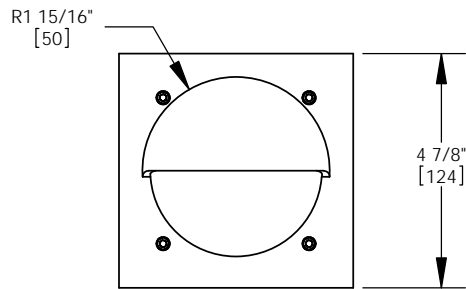
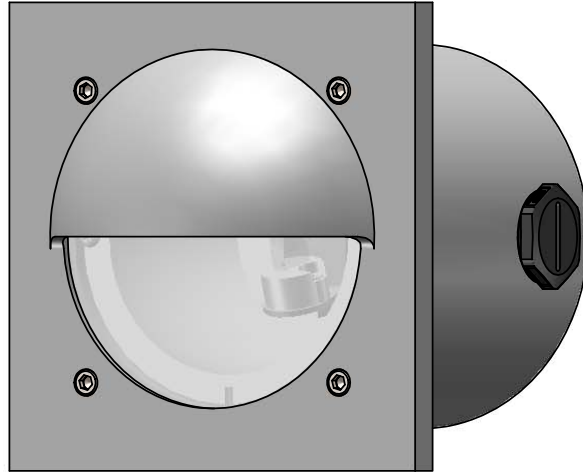
HL-280-1-N-50-12-90
 HL-280-BZ-35-120-91

RATING:

Wet/damp/dry location.



MADE IN THE USA



ORDER SPECIFICATION: _____ - _____ - _____ - _____ - _____
Fixture Finish Lamping Voltage Options/Access.

PROJECT: _____
 APPROVED: _____
 NOTE: _____
 TYPE: _____

HEVI LITE, INC.
 9714 Variel Ave, Chatsworth, CA 91311
 Tel., (818) 341-8091 - Fax (818) 998-1986
 Web Site <http://www.hevilite.com>

CATALOG NUMBER:
HL-280