

# SPECIFICATIONS

**DESCRIPTION:**

Compact MR8 adjustable accent fixture with angled glare shield. Suitable for wet/damp/dry location installations.

**MATERIAL:**

Standard overall material is 6061 aluminum.  
**HL-309** - Machined Aluminum (Standard)  
**HL-309-1** - Machined Stainless Steel  
**HL-309-2b** - Machined Brass

**FINISH:**

**AA** - Anodized Satin Aluminum  
**AP** - Powder Coat Aluminum  
**BK** - Powder Coat Black  
**BZ** - Powder Coat Bronze  
**WT** - Powder Coat White  
**N** - Natural, for Stainless Steel and Brass

**LAMPING:**

Lamp Type - 12V halogen MR8 lamp, bi-pin G4 base, 35W max, not included.

**VOLTAGE:**

**12** - 12 VAC output transformer required, not included.

**MOUNTING:**

Fixture is designed with a 1/2-NPS adjustable mounting stem.

**OPTIONS:**

Lenses/Louvers/Color Filters  
**LA-1-8** - Hexcell Louver (Black)  
**LA-2-8** - Prismatic lens  
**LA-3-8** - Linear spread lens  
**LA-4-8** - Soft focus lens (diffused)  
**LA-5-8** - Moonlight lens  
**LA-6-8** - Blue lens

See fixture accessories for more information.

**SAMPLE ORDER SPECIFICATION:**

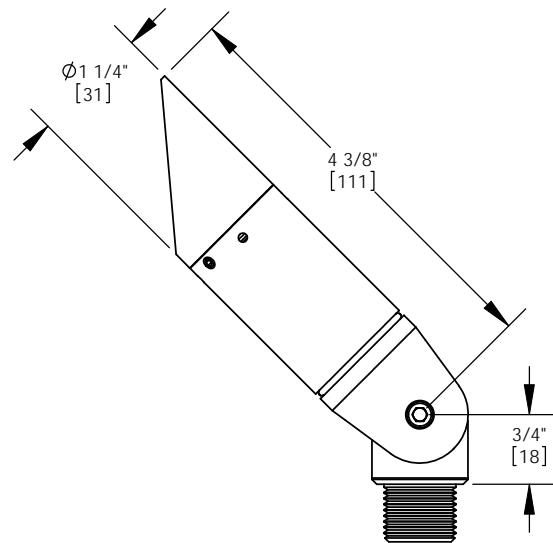
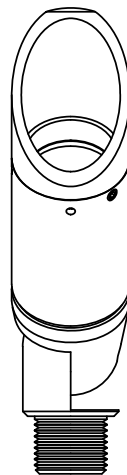
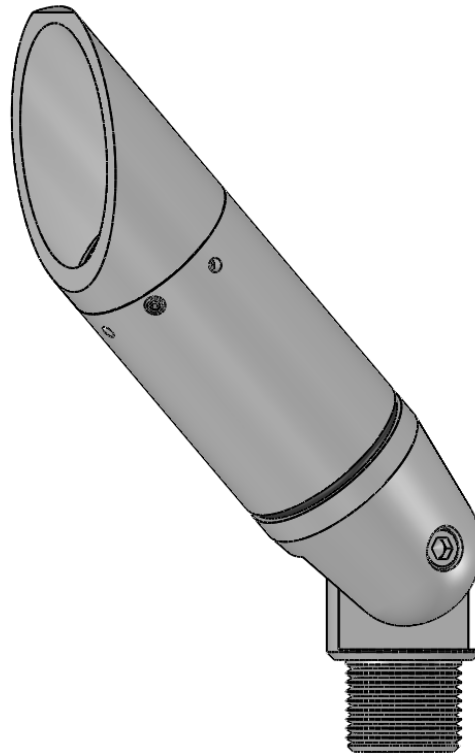
HL-309-2b-N-12-LA-1-8

**RATING:**

Wet/damp/dry location.



**MADE IN THE USA**



**ORDER SPECIFICATION:** \_\_\_\_\_ - \_\_\_\_\_ - \_\_\_\_\_ - \_\_\_\_\_ - \_\_\_\_\_  
Fixture Finish Lamping Voltage Options/Access.

**PROJECT:** \_\_\_\_\_

**APPROVED:** \_\_\_\_\_

**NOTE:** \_\_\_\_\_

**TYPE:** \_\_\_\_\_

**HEVI LITE, INC.**  
 9714 Variel Ave, Chatsworth, CA 91311  
 Tel., (818) 341-8091 - Fax (818) 998-1986  
 Web Site <http://www.hevilite.com>

CATALOG NUMBER:

**HL-309**