

SPECIFICATIONS

DESCRIPTION:

Powerful MR16 adjustable accent fixture, 75W maximum. Suitable for wet/damp/dry location installations.

MATERIAL:

Standard overall material is 6061 aluminum.
HL-365 - Machined Aluminum

FINISH:

- AA - Anodized Satin Aluminum
- AP - Powder Coat Aluminum
- BK - Powder Coat Black
- BZ - Powder Coat Bronze
- WT - Powder Coat White

LAMPING:

Lamp Type - 12V halogen MR16 lamp, bi-pin GX5.3 base, 75W max, not included.

VOLTAGE:

12 - 12 VAC output transformer required, not included.

MOUNTING:

Fixture is designed with a 1/2-NPS adjustable mounting stem.

OPTIONS:

Glare shields

- GL-21 - Angled, aluminum
- GL-23 - Straight, aluminum

Lenses/Louvers/Color Filters

- LA-1-20 - Hexcell Louver (Black)
- LA-2-20 - Prismatic lens
- LA-3-20 - Linear spread lens
- LA-4-20 - Soft focus lens (diffused)
- LA-5-20 - Moonlight lens
- LA-6-20 - Blue lens

See fixture accessories for more information.

SAMPLE ORDER SPECIFICATION:

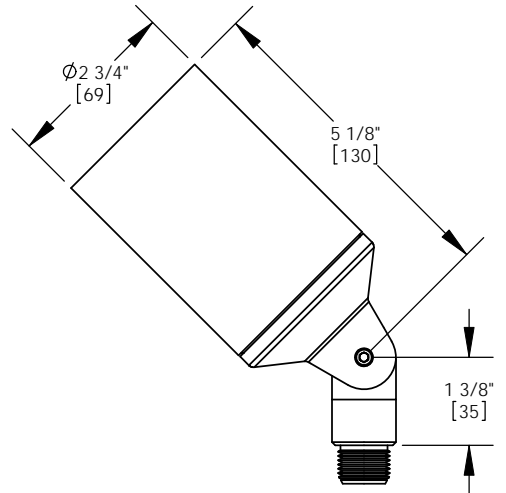
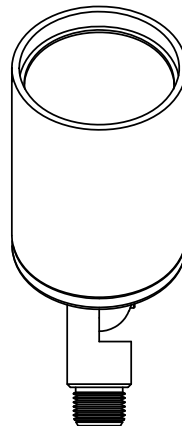
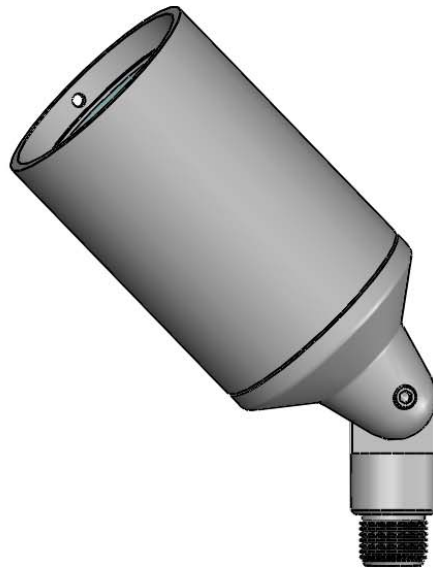
HL-365-AA-120-GL-21

RATING:

Wet/damp/dry location.



MADE IN THE USA



ORDER SPECIFICATION: _____ - _____ - _____ - _____ - _____
Fixture Finish Lamping Voltage Options/Access.

PROJECT: _____
 APPROVED: _____
 NOTE: _____
 TYPE: _____

HEVI LITE, INC.
 9714 Variel Ave, Chatsworth, CA 91311
 Tel., (818) 341-8091 - Fax (818) 998-1986
 Web Site <http://www.hevilite.com>

CATALOG NUMBER:
HL-365