

# SPECIFICATIONS

**DESCRIPTION:**

Specification grade PAR20 adjustable accent fixture. Suitable for wet/damp/dry location installations.

**MATERIAL:**

Standard overall material is 6061 aluminum.  
**HL-370** - Machined Aluminum

**FINISH:**

- AA - Anodized Satin Aluminum
- AP - Powder Coat Aluminum
- BK - Powder Coat Black
- BZ - Powder Coat Bronze
- WT - Powder Coat White

**LAMPING:**

Lamp Type - 120V incandescent PAR20 lamp, medium base, 50W max, not included.

**VOLTAGE:**

120 - 120 VAC.

**MOUNTING:**

Fixture is designed with a 1/2-NPS adjustable mounting stem.

**OPTIONS:**

Glare shields

- GL-21 - Angled, aluminum
- GL-23 - Straight, aluminum

Lenses/Louvers/Color Filters

- LA-1-20 - Hexcell Louver (Black)
- LA-2-20 - Prismatic lens
- LA-3-20 - Linear spread lens
- LA-4-20 - Soft focus lens (diffused)
- LA-5-20 - Moonlight lens
- LA-6-20 - Blue lens

See fixture accessories for more information.

**SAMPLE ORDER SPECIFICATION:**

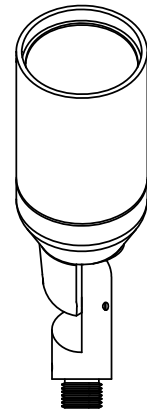
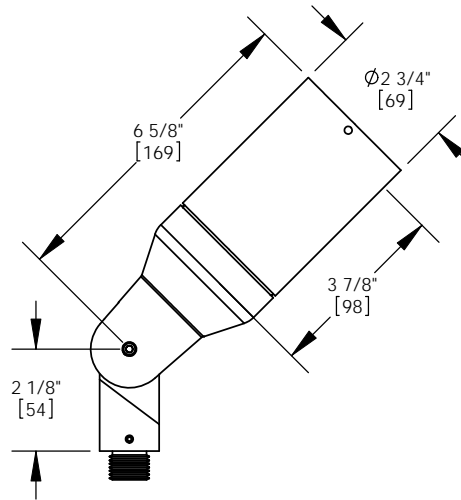
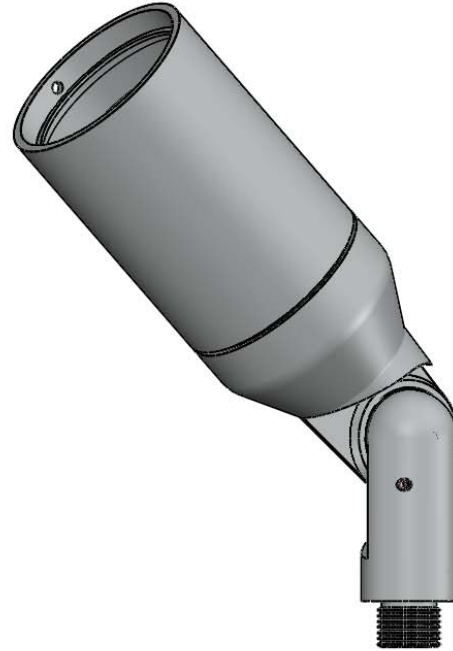
HL-370-AA-120-GL-23-LA-4-20

**RATING:**

Wet/damp/dry location.



MADE IN THE USA



ORDER SPECIFICATION: \_\_\_\_\_ - \_\_\_\_\_ - \_\_\_\_\_ - \_\_\_\_\_ - \_\_\_\_\_  
Fixture Finish Lamping Voltage Options/Access.

PROJECT: \_\_\_\_\_  
 APPROVED: \_\_\_\_\_  
 NOTE: \_\_\_\_\_  
 TYPE: \_\_\_\_\_

**HEVI LITE, INC.**  
 9714 Variel Ave, Chatsworth, CA 91311  
 Tel., (818) 341-8091 - Fax (818) 998-1986  
 Web Site <http://www.hevilite.com>

CATALOG NUMBER:  
**HL-370**