

SPECIFICATIONS

DESCRIPTION:

MR11 halogen path light with a 24" 90° stem extension. Suitable for wet/damp/dry location installations.

MATERIAL:

Standard overall material is 6061 aluminum.
HL-614 - Machined Aluminum

FINISH:

- AA - Anodized Satin Aluminum
- AP - Powder Coat Aluminum
- BK - Powder Coat Black
- BZ - Powder Coat Bronze
- WT - Powder Coat White

LAMPING:

Lamp Type - 12V halogen MR11 lamp, bi-pin G4 base, 35W max, not included.

VOLTAGE:

12 - 12 VAC output transformer required, not included.

MOUNTING:

Fixture is equipped with a 1/2" NPS stem extension and a GM-1 spike for ground mounting.

OPTIONS:

- Glare shields
 - GL-5 - Angled, aluminum
 - GL-7 - Straight, aluminum
- Ground Mounts
 - GM-1 - Composite spike (included)
 - GM-2 - Cast spike
 - GM-3 - Stainless steel spike
 - GM-4 - Stainless steel spike with wiring compartment
 - GM-5 - Composite spike with wiring compartment
 - GM-6 - Cast spike with wiring compartment
 - GM-7 - Cork screw spike
 - GM-8 - Cast brass in-grade J-Box
 - GM-9 - Landscape Post
- Lenses/Louvers/Color Filters
 - LA-1-11 - Hexcell Louver (Black)
 - LA-2-11 - Prismatic lens
 - LA-3-11 - Linear spread lens
 - LA-4-11 - Soft focus lens (diffused)
 - LA-5-11 - Moonlight lens
 - LA-6-11 - Blue lens

See fixture accessories for more information.

SAMPLE ORDER SPECIFICATION:

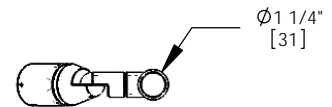
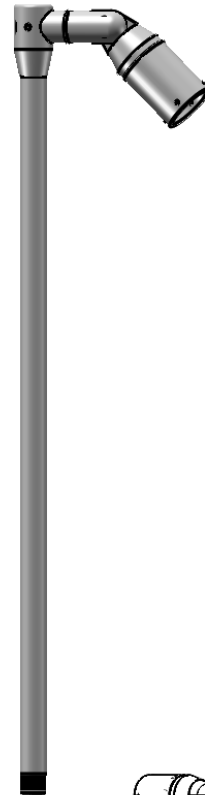
HL-614-AA-12-GL-5-LA-2-11

RATING:

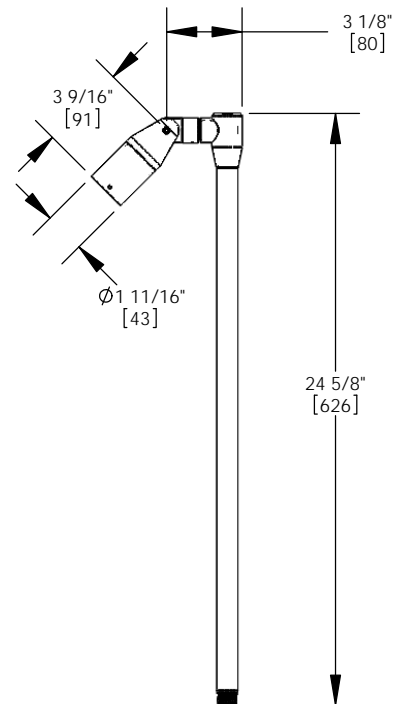
Wet/damp/dry location.



MADE IN THE USA



MR11 FIXTURE (HL-310)



ORDER SPECIFICATION: _____ - _____ - _____ - _____ - _____
Fixture Finish Lamping Voltage Options/Access.

PROJECT: _____
 APPROVED: _____
 NOTE: _____
 TYPE: _____

HEVI LITE, INC.
 9714 Variel Ave, Chatsworth, CA 91311
 Tel., (818) 341-8091 - Fax (818) 998-1986
 Web Site <http://www.hevilite.com>

CATALOG NUMBER:
HL-614