

SPECIFICATIONS

DESCRIPTION:

Dual MR11 halogen path light with a "T" mount and 24" stem extension. Suitable for wet/damp/dry location installations.

MATERIAL:

Standard overall material is 6061 aluminum.
HL-615 - Machined Aluminum

FINISH:

- AA - Anodized Satin Aluminum
- AP - Powder Coat Aluminum
- BK - Powder Coat Black
- BZ - Powder Coat Bronze
- WT - Powder Coat White

HALOGEN LAMPING OPTION:

Lamp Type - 12V halogen MR11 lamp, bi-pin G4 base, 35W max, not included (standard).

LED OPTIONS:

Integral high output 3W LED, warm white (3000K CCT) standard, others available.
 Optics

- SP - Spot, 12°
- NF - Narrow Flood, 24°
- FL - Flood, 36°

VOLTAGE:

12 - 12 VAC output transformer required, not included.

MOUNTING:

Fixture is designed with a 1/2-NPS adjustable mounting stem.

OPTIONS:

Glare shields

- GL-5 - Angled, aluminum
- GL-6 - Angled, brass
- GL-7 - Straight, aluminum
- GL-8 - Straight, brass

Lenses/Louvers/Color Filters

- LA-1-11 - Hexcell Louver (Black)
- LA-2-11 - Prismatic lens
- LA-3-11 - Linear spread lens
- LA-4-11 - Soft focus lens (diffused)
- LA-5-11 - Moonlight lens
- LA-6-11 - Blue lens

See fixture accessories for more information.

SAMPLE ORDER SPECIFICATION:

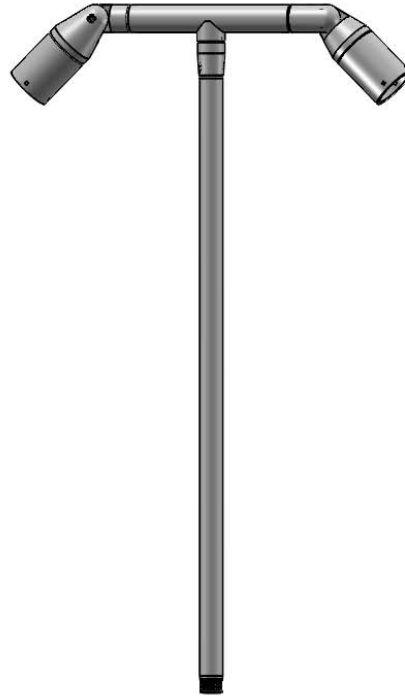
HL-615-BZ-12 / (2)GL-7 / (2)LA-6-11

RATING:

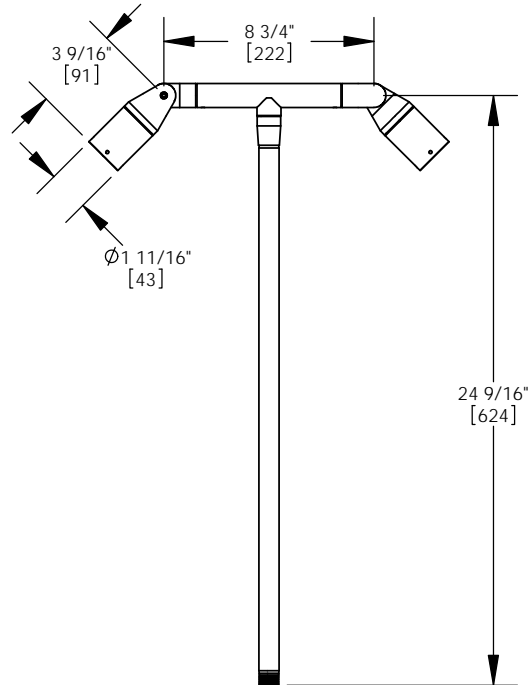
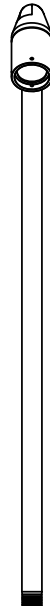
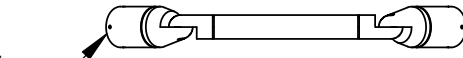
Wet/damp/dry location.



MADE IN THE USA



MR11 FIXTURE (HL-310)



ORDER SPECIFICATION: _____ - _____ - _____ - _____ - _____
Fixture Finish Lamping Voltage Options/Access.

PROJECT:
 APPROVED:
 NOTE:
 TYPE:

HEVI LITE, INC.
 9714 Variel Ave, Chatsworth, CA 91311
 Tel., (818) 341-8091 - Fax (818) 998-1986
 Web Site <http://www.hevilite.com>

CATALOG NUMBER:
HL-615