

SPECIFICATIONS

DESCRIPTION:

Dual MR8 straight sign light with a "T" mount and 24" stem extension. Suitable for wet/damp/dry location installations.

MATERIAL:

Standard overall material is 6061 aluminum.
HL-702 - Machined Aluminum

FINISH:

- AA - Anodized Satin Aluminum
- AP - Powder Coat Aluminum
- BK - Powder Coat Black
- BZ - Powder Coat Bronze
- WT - Powder Coat White

LAMPING:

Lamp Type - 12V halogen MR8 lamp, bi-pin
 G4 base, 35W max, not included.

VOLTAGE:

12 - 12 VAC output transformer required, not included.

MOUNTING:

Fixture is equipped with a 4.75" mounting plate and (2) mounting screws.

OPTIONS:

Glare shields

- GL-1 - Angled, aluminum
- GL-3 - Straight, aluminum

Lenses/Louvers/Color Filters

- LA-1-8 - Hexcell Louver (Black)
- LA-2-8 - Prismatic lens
- LA-3-8 - Linear spread lens
- LA-4-8 - Soft focus lens (diffused)
- LA-5-8 - Moonlight lens
- LA-6-8 - Blue lens

See fixture accessories for more information.

SAMPLE ORDER SPECIFICATION:

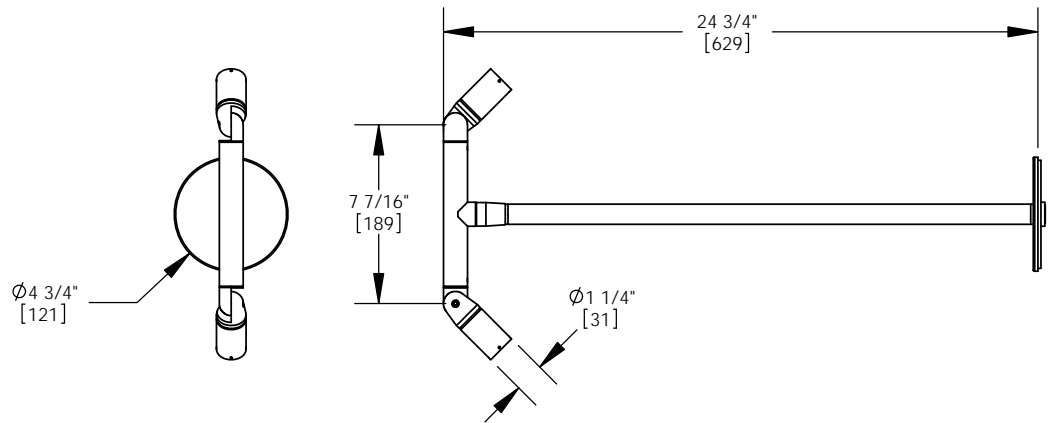
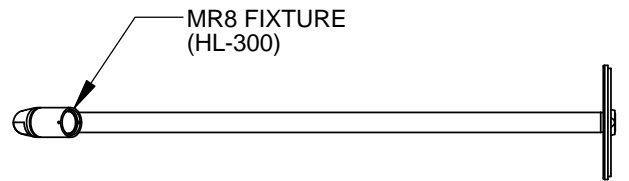
HL-702-AA-12-GL-1-LA-6-8

RATING:

Wet/damp/dry location.



MADE IN THE USA



ORDER SPECIFICATION: _____ - _____ - _____ - _____ - _____
Fixture Finish Lamping Voltage Options/Access.

PROJECT: _____
APPROVED: _____
NOTE: _____
TYPE: _____

HEVI LITE, INC.
 9714 Variel Ave, Chatsworth, CA 91311
 Tel., (818) 341-8091 - Fax (818) 998-1986
 Web Site <http://www.hevilite.com>

CATALOG NUMBER:
HL-702