

SPECIFICATIONS

DESCRIPTION:

PAR20 sign light with a 24" 90° stem extension. Suitable for wet/damp/dry location installations.

MATERIAL:

Standard overall material is 6061 aluminum.
HL-751 - Machined Aluminum

FINISH:

- AA** - Anodized Satin Aluminum
- AP** - Powder Coat Aluminum
- BK** - Powder Coat Black
- BZ** - Powder Coat Bronze
- WT** - Powder Coat White

LAMPING:

Lamp Type - 120V incandescent PAR20 lamp, medium base, 50W max, not included.

VOLTAGE:

120 - 120 VAC.

MOUNTING:

Fixture is equipped with a 4.75" mounting plate and (2) mounting screws.

OPTIONS:

Glare shields

- GL-21** - Angled, aluminum
- GL-23** - Straight, aluminum

Lenses/Louvers/Color Filters

- LA-1-20** - Hexcell Louver (Black)
- LA-2-20** - Prismatic lens
- LA-3-20** - Linear spread lens
- LA-4-20** - Soft focus lens (diffused)
- LA-5-20** - Moonlight lens
- LA-6-20** - Blue lens

See fixture accessories for more information.

SAMPLE ORDER SPECIFICATION:

HL-751-AA-120-GL-21-LA-2-20

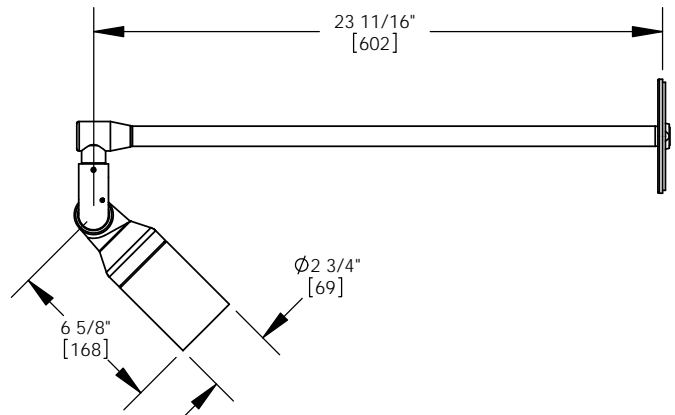
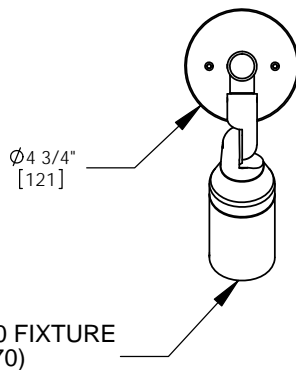
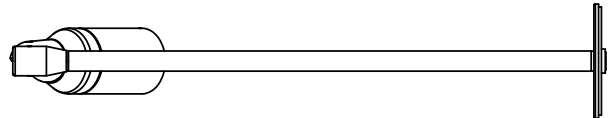
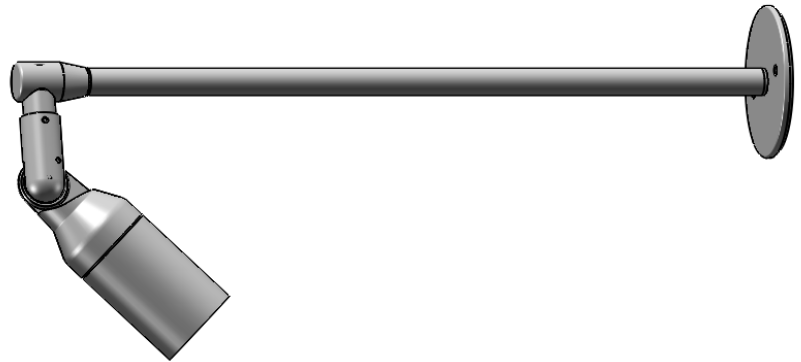
RATING:

Wet/damp/dry location.



Intertek

MADE IN THE USA



ORDER SPECIFICATION: _____ - _____ - _____ - _____ - _____
Fixture Finish Lamping Voltage Options/Access.

PROJECT: _____
 APPROVED: _____
 NOTE: _____
 TYPE: _____

HEVI LITE, INC.
 9714 Variel Ave, Chatsworth, CA 91311
 Tel., (818) 341-8091 - Fax (818) 998-1986
 Web Site <http://www.hevilite.com>

CATALOG NUMBER:
HL-751