

SPECIFICATIONS

DESCRIPTION:

Compact recessed floor mount fixture, with thermal protection and adjustable light source. Suitable for interior and exterior wood floors and wet/damp location installations.

MATERIAL:

Standard overall material is 6061 aluminum.

HL-820 - Machined Aluminum

FINISH:

- AA** - Anodized Satin Aluminum
- AP** - Powder Coat Aluminum
- BK** - Powder Coat Black
- BZ** - Powder Coat Bronze
- WT** - Powder Coat White

HALOGEN LAMPING OPTION:

Lamp Type - 12V halogen MR16 lamp, bi-pin GX5.3 base, 50W max, not included (standard).

LED OPTIONS

Integral high output LED, warm white 85 CRI (3000K CCT) standard, others available.

- 3LED** - 3W LED - 180 lumens
- 8LED** - 8W LED - 300 lumens
- 8LED-E** - 8.4W LED - 565 lumens

OPTICS

- 3LED and 8LED:
 - SP** - Spot, 12°
 - NF** - Narrow Flood, 24°
 - FL** - Flood, 36°
- 8LED-E:
 - SP** - Spot 14°
 - NF** - Narrow Flood, 25°
 - MF** - Medium Flood, 30°
 - FL** - Flood, 40°

VOLTAGE:

12 - 12 VAC output transformer required, not included

MOUNTING:

Suitable for installation into concrete, masonry, or any non-combustible material.

OPTIONS:

- Lenses/Louvers/Color Filters:
- LA-1-820** - Hexcell Louver (Black)
 - LA-2-820** - Prismatic Lens
 - LA-3-820** - Linear Spread Lens
 - LA-4-820** - Soft Focus Lens
 - LA-5-820** - Moonlight Lens
 - LA-6-820** - Blue Lens

SAMPLE ORDER SPECIFICATION:

HL-820-BK-8LED-E-NF-12 / LA-4-820

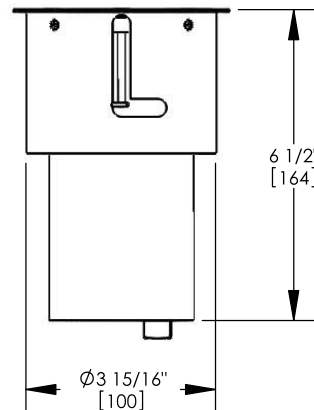
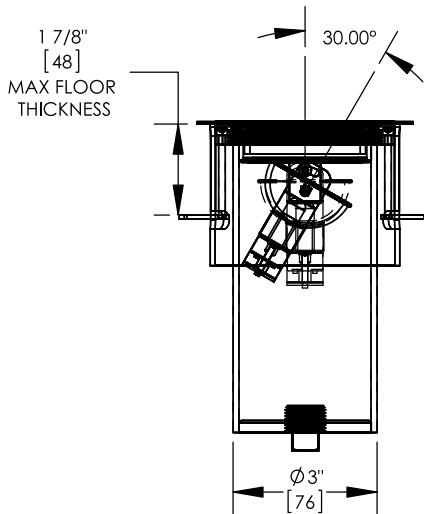
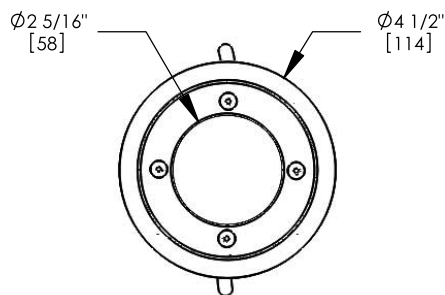
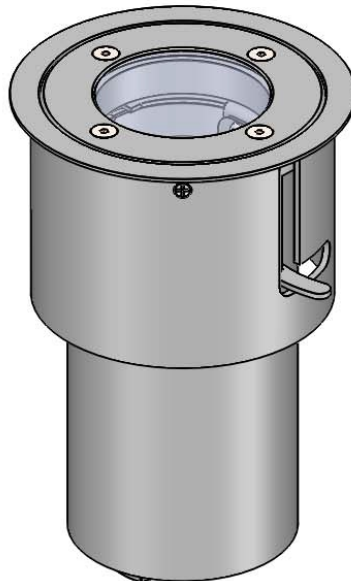
RATING:

Wet/damp/location - IP67



Intertek

MADE IN THE USA



ORDER SPECIFICATION: _____ - _____ - _____ - _____ - _____
Fixture Finish Lamping Voltage Options/Access.

PROJECT: _____

APPROVED: _____

NOTE: _____

TYPE: _____

HEVI LITE, INC.

9714 Variel Ave, Chatsworth, CA 91311
 Tel., (818) 341-8091 - Fax (818) 998-1986
 Web Site <http://www.hevilite.com>

CATALOG NUMBER:
HL-820