

# SPECIFICATIONS

**DESCRIPTION:**

Compact recessed in-grade fixture with adjustable light source and protective lens grill. Suitable for wet/damp location installations.

**MATERIAL:**

Standard overall material is 6061 aluminum.

**FINISH:**

- AA - Anodized Satin Aluminum
- AP - Powder Coat Aluminum
- BK - Powder Coat Black
- BZ - Powder Coat Bronze
- WT - Powder Coat White

**LAMPING:**

Lamp Type - Halogen/LED MR16 lamp, GU10 base, 50W max, not included.

**VOLTAGE:**

Line voltage fixture, 120 V

**MOUNTING:**

Suitable for installation into concrete, masonry, or any non-combustible material

**OPTIONS:**

Lenses/Louvers/Color Filters  
Snap Ring Holders included

- LA-1-820 - Hexcell Louver (Black)
- LA-2-820 - Prismatic lens
- LA-3-820 - Linear spread lens
- LA-4-820 - Soft focus lens (Diffused)
- LA-5-820 - Moonlight lens
- LA-6-820 - Blue lens
- HL-26PH - Aluminum Pour Housing

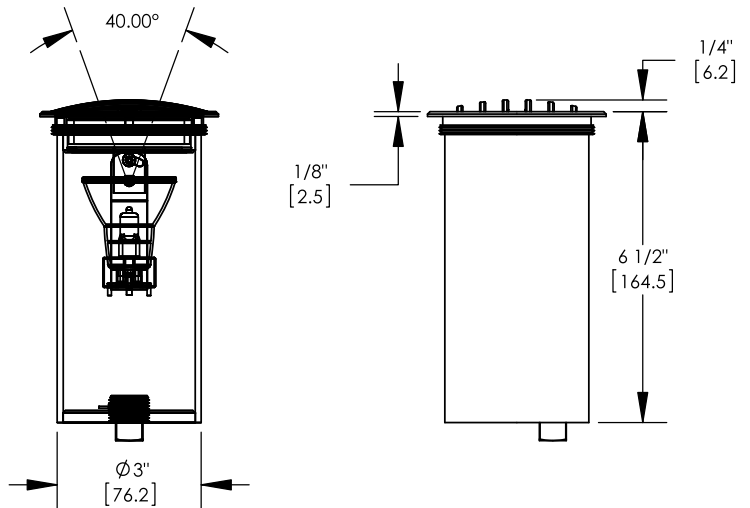
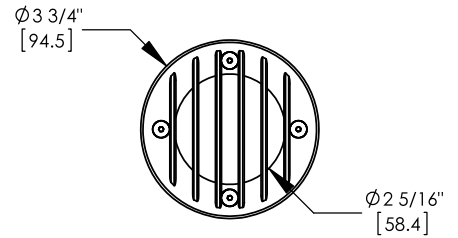
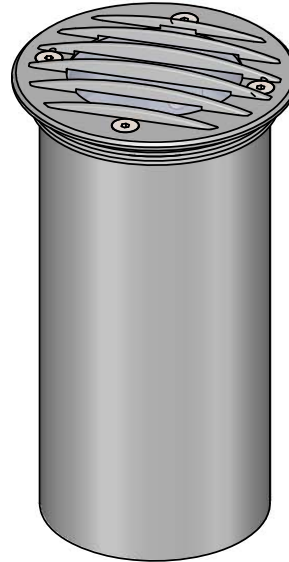
**SAMPLE ORDER SPECIFICATION:**

HL-824-AA-GU1-120/LA-3-820/HL-26PH

**RATING:**

Wet/damp location - IP67

**MADE IN THE USA**



**ORDER SPECIFICATION:**

Fixtur \_\_\_\_\_ e \_\_\_\_\_ Finish \_\_\_\_\_ Lamping \_\_\_\_\_ Voltage \_\_\_\_\_ Options/Access. \_\_\_\_\_

PROJECT:

APPROVED:

NOTE:

TYPE:

**HEVI LITE, INC.**

9714 Variel Ave, Chatsworth, CA 91311  
Tel, (818) 341-8091 - Fax (818) 998-1986  
Web Site <http://www.hevilite.com>

CATALOG NUMBER:

**HL-824-GU10**