

# SPECIFICATIONS

**DESCRIPTION:**

Compact surface mount LED accent light. Suitable for wet/damp/dry location installations.

**MATERIAL:**

Standard overall material is 6061 aluminum.  
**HL-903** - Machined Aluminum

**FINISH:**

- AA** - Anodized Satin Aluminum
- AP** - Powder Coat Aluminum
- BK** - Powder Coat Black
- BZ** - Powder Coat Bronze
- WT** - Powder Coat White

**LED OPTIONS:**

Integral high output 3W LED, warm white (3000K CCT) standard, others available.

**Optics**

- SP** - Spot, 12°
- NF** - Narrow Flood, 24°
- FL** - Flood, 36°

**VOLTAGE:**

**12** - 12 VAC output transformer required, not included. For dimming use magnetic transformer.

**MOUNTING:**

Fixture is equipped with a 3.50" wall plate and (2) mounting screws.

**OPTIONS:**

Glare shields

- GL-5** - Angled, aluminum
- GL-7** - Straight, aluminum

Lenses/Louvers/Color Filters

- LA-1-11** - Hexcell Louver (Black)
- LA-2-11** - Prismatic lens
- LA-3-11** - Linear spread lens
- LA-4-11** - Soft focus lens (diffused)
- LA-5-11** - Moonlight lens
- LA-6-11** - Blue lens

See fixture accessories for more information. Note fixture will hold (1) lens/louver accessory.

**SAMPLE ORDER SPECIFICATION:**

HL-903-AA-SP-12-GL-7-LA-2-11

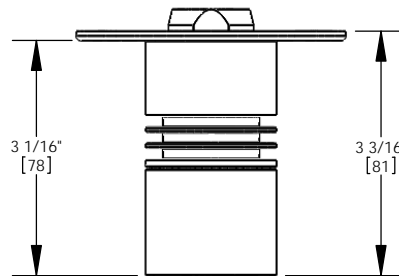
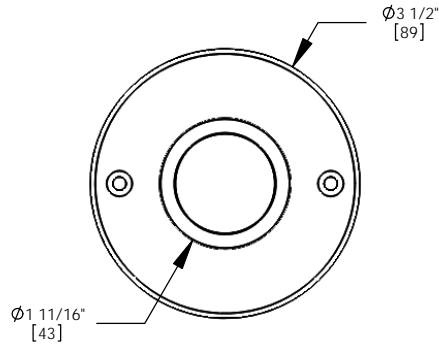
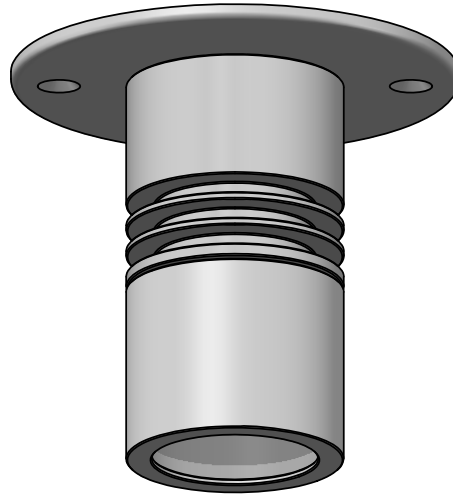
**RATING:**

Wet/damp/dry location.



Intertek

**MADE IN THE USA**



**ORDER SPECIFICATION:** \_\_\_\_\_ - \_\_\_\_\_ - \_\_\_\_\_ - \_\_\_\_\_ - \_\_\_\_\_  
Fixture Finish Optics Voltage Options/Access.

**PROJECT:** \_\_\_\_\_  
**APPROVED:** \_\_\_\_\_  
**NOTE:** \_\_\_\_\_  
**TYPE:** \_\_\_\_\_

**HEVI LITE, INC.**  
 9714 Variel Ave, Chatsworth, CA 91311  
 Tel., (818) 341-8091 - Fax (818) 998-1986  
 Web Site <http://www.hevilite.com>

CATALOG NUMBER:  
**HL-903**