

SPECIFICATIONS

DESCRIPTION:

Specification grade surface/tree mount for (2) fixtures with adjustable nylon strap. Suitable for wet/damp/dry location installations.

MATERIAL:

Standard overall material is 6061 aluminum.
SM-2-2X - Machined Aluminum (Standard)
SM-2-2X-2b - Machined Brass

FINISH:

- AA - Anodized Satin Aluminum
- AP - Powder Coat Aluminum
- BK - Powder Coat Black
- BZ - Powder Coat Bronze
- WT - Powder Coat White
- N - Natural, for Stainless Steel and Brass

VOLTAGE:

Wiring compartment is suitable for low voltage fixtures.

MOUNTING:

Mounts to surface/tree with nylon strap. Fixture is designed with (1) 1/2" wiring hole on side and (1) 1/2-NPS mount per wiring box. Nylon strap diameter:

- 12 - 12" Diameter
- 24 - 24" Diameter
- 36 - 36" Diameter

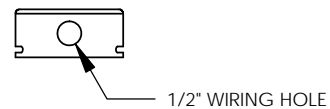
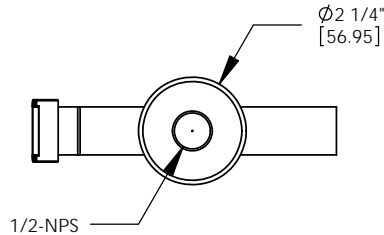
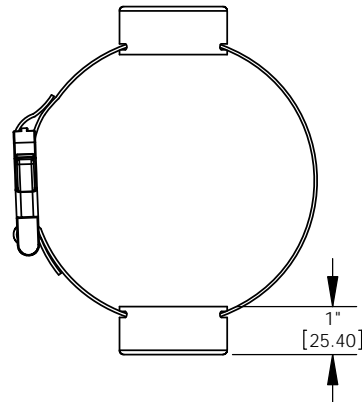
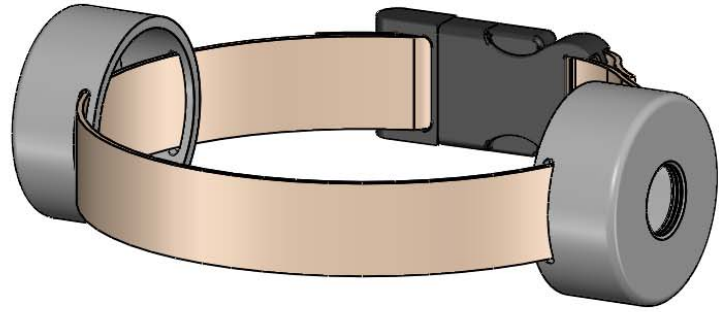
SAMPLE ORDER SPECIFICATION:

SM-2-2X-2b-N-24

RATING:

Wet/damp/dry location.

MADE IN THE USA



ORDER SPECIFICATION: _____ - _____ - _____ - _____ - _____
Fixture Finish Lamping Voltage Options/Access.

PROJECT:
 APPROVED:
 NOTE:
 TYPE:

H HEVI LITE, INC.
 9714 Variel Ave, Chatsworth, CA 91311
 Tel., (818) 341-8091 - Fax (818) 998-1986
 Web Site <http://www.hevilight.com>

CATALOG NUMBER:
SM-2-2X