

SPECIFICATIONS

DESCRIPTION:

Dual surface mount canopy. Suitable for wet/damp/dry location installation.

MATERIAL:

Standard overall material is 6061 aluminum.
SM-5-2X - Machined aluminum

FINISH:

- AA - Anodized Satin Aluminum
- AP - Powder Coat Aluminum
- BK - Powder Coat Black
- BZ - Powder Coat Bronze
- WT - Powder Coat White

MOUNTING:

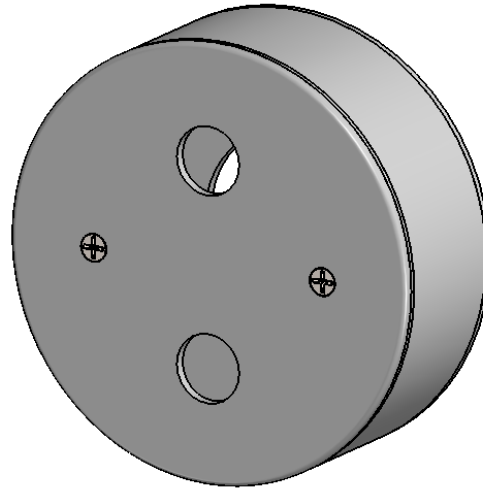
Canopy is equipped with (2) 1/2-NPS fixture mounts for (2) fixtures, 4.75" mounting back plate and (2) mounting screws.

SAMPLE ORDER SPECIFICATION:

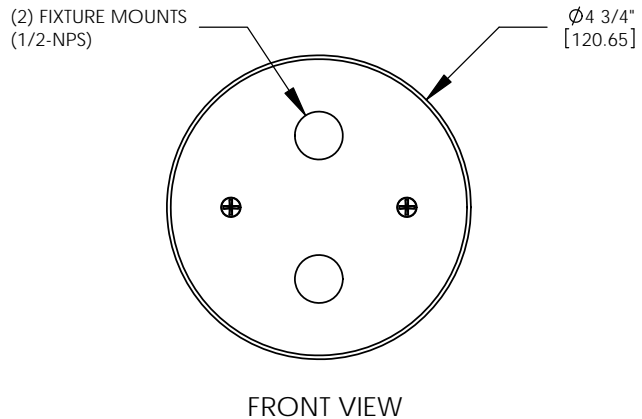
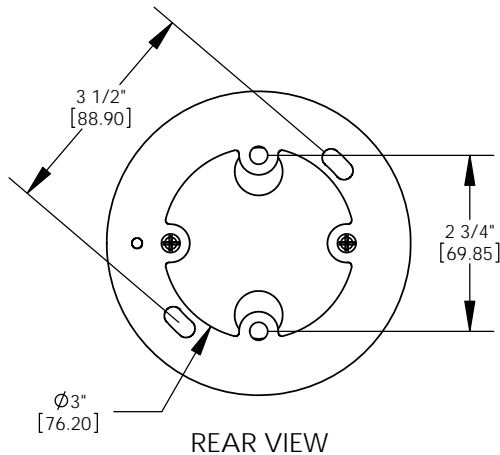
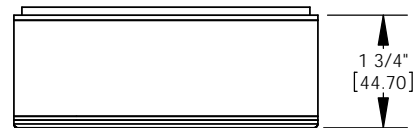
SM-5-2X-BZ

RATING:

Wet/damp/dry location.



MADE IN THE USA



ORDER SPECIFICATION: _____ - _____ - _____ - _____ - _____
Fixture Finish Lamping Voltage Options/Access.

PROJECT: _____
APPROVED: _____
NOTE: _____
TYPE: _____

HEVI LITE, INC.
 9714 Variel Ave, Chatsworth, CA 91311
 Tel., (818) 341-8091 - Fax (818) 998-1986
 Web Site <http://www.hevilite.com>

CATALOG NUMBER:
SM-5-2X