

# SPECIFICATIONS

**DESCRIPTION:**

Wall mount transformer canopy. Suitable for wet/damp/dry location installation.

**MATERIAL:**

Standard overall material is 6061 aluminum.

**WM-9** - Machined aluminum

**FINISH:**

**AA** - Anodized Satin Aluminum

**AP** - Powder Coat Aluminum

**BK** - Powder Coat Black

**BZ** - Powder Coat Bronze

**WT** - Powder Coat White

**VOLTAGE:**

**120** - (1) 120/12 VAC 60W electronic transformer included.

**MOUNTING:**

Canopy is equipped with (1) 1/2-NPS mount for (1) fixture, 4.75" mounting back plate and (2) mounting screws.

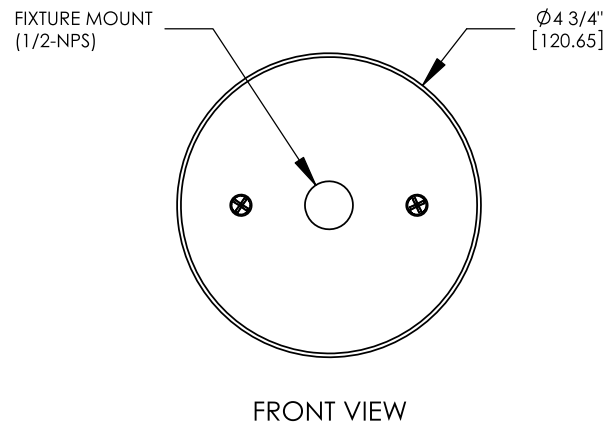
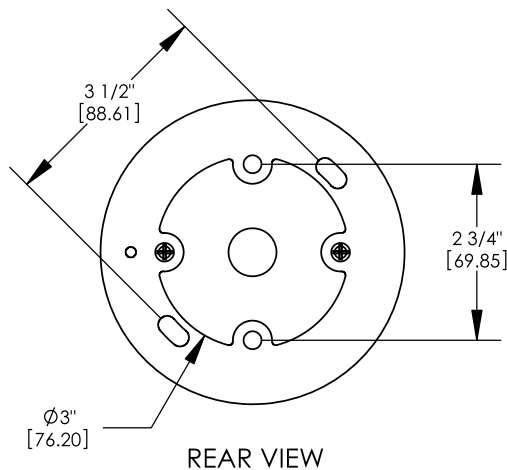
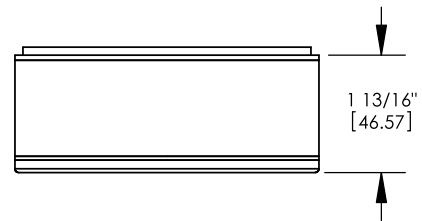
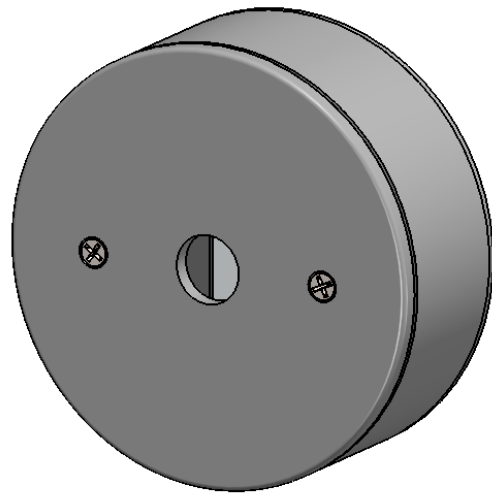
**SAMPLE ORDER SPECIFICATION:**

WM-9-AA-120

**RATING:**

Wet/damp/dry location.

**MADE IN THE USA**



ORDER SPECIFICATION: \_\_\_\_\_ - \_\_\_\_\_ - \_\_\_\_\_ - \_\_\_\_\_ - \_\_\_\_\_  
Fixture Finish Lamping Voltage Options/Access.

PROJECT:

APPROVED:

NOTE:

TYPE:

**HEVI LITE, INC.**  
 9714 Variel Ave, Chatsworth, CA 91311  
 Tel., (818) 341-8091 - Fax (818) 998-1986  
 Web Site <http://www.hevilite.com>

CATALOG NUMBER:

**WM-9**