

# SPECIFICATIONS

**DESCRIPTION:**

Direct burial metal halide ballast pod with (1) ballast. Suitable for wet/damp/dry location installation.

**MATERIAL:**

Standard overall material is 6061 aluminum.  
**H-POD-XX** - Machined Aluminum

**FINISH:**

- AA** - Anodized Satin Aluminum
- AP** - Powder Coat Aluminum
- BK** - Powder Coat Black
- BZ** - Powder Coat Bronze
- WT** - Powder Coat White

**LAMPING:**

Ballast Type - (1) Integral HID electronic metal halide ballast included with (2) moisture-lock cords with fittings.  
**20** - 20W Ballast  
**35** - 39W Ballast  
**70** - 70W Ballast

**VOLTAGE:**

**120-277** - 120-277V multi-volt ballast

**MOUNTING:**

Mounted in direct burial box.

**OPTIONS:**

**HL-JB4** - Composite 12"x12"x6" box

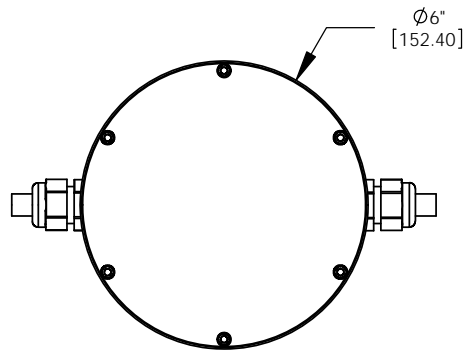
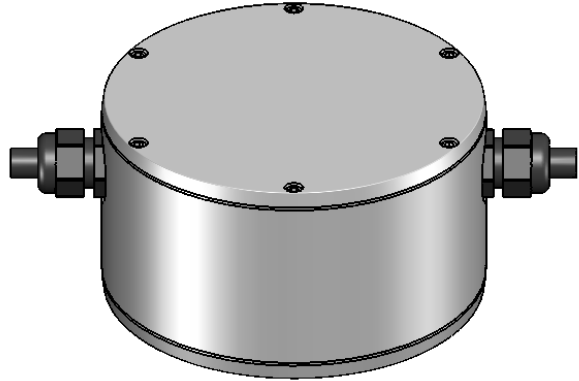
**SAMPLE ORDER SPECIFICATION:**

H-POD-35-BK-120-277-HL-JB4

**RATING:**

Wet/damp/dry location.

**MADE IN THE USA**



ORDER SPECIFICATION: \_\_\_\_\_  
Fixture - Finish - Lamping - Voltage - Options/Access.

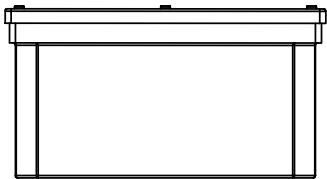
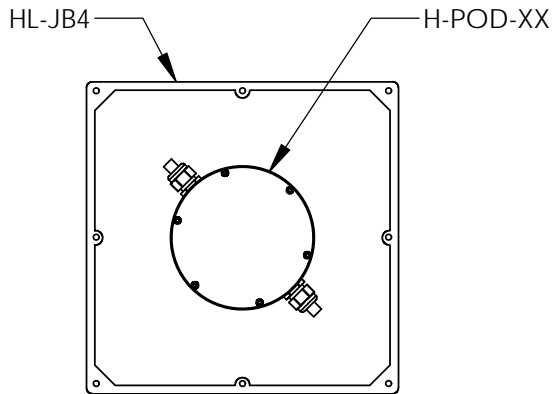
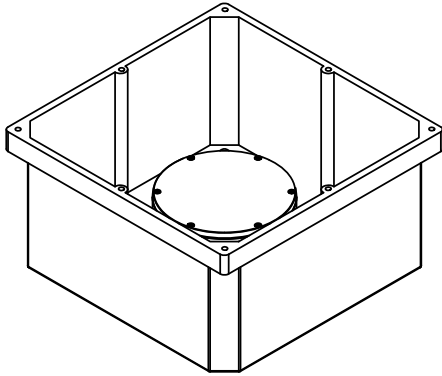
PROJECT: \_\_\_\_\_  
 APPROVED: \_\_\_\_\_  
 NOTE: \_\_\_\_\_  
 TYPE: \_\_\_\_\_

**H HEVI LITE, INC.**  
 9714 Variel Ave, Chatsworth, CA 91311  
 Tel., (818) 341-8091 - Fax (818) 998-1986  
 Web Site <http://www.hevilite.com>

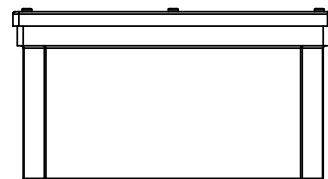
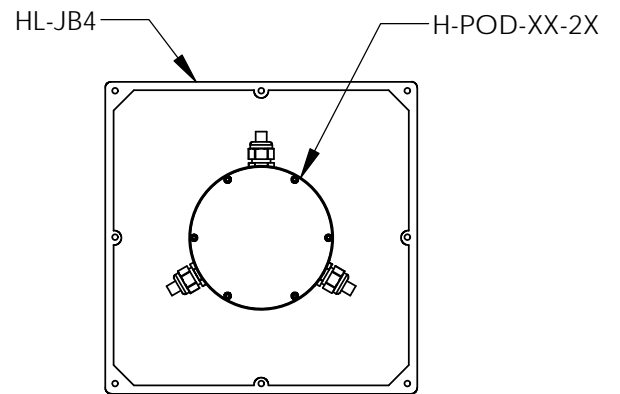
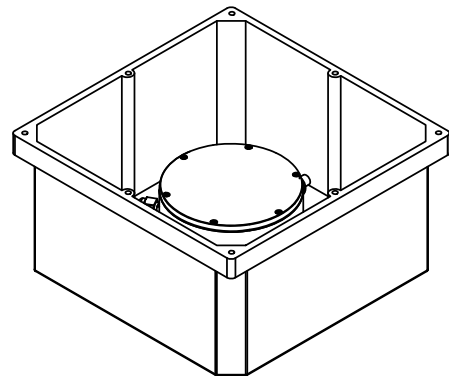
CATALOG NUMBER:  
**H-POD-XX**

## H-POD CONFIGURATIONS IN HL-JB4

1 x HL-JB4 (OPTIONAL)  
1 x H-POD-XX



1 x HL-JB4 (OPTIONAL)  
1 x H-POD-XX-2X



PROJECT:

APPROVED:

NOTE:

TYPE:

**H** HEVI LITE, INC.  
9714 Variel Ave, Chatsworth, CA 91311  
Tel., (818) 341-8091 - Fax (818) 998-1986  
Web Site <http://www.hevilite.com>

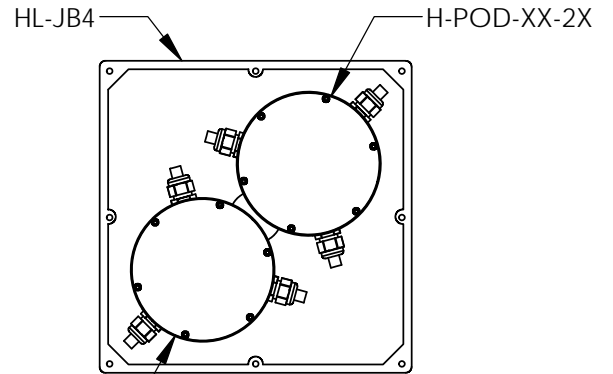
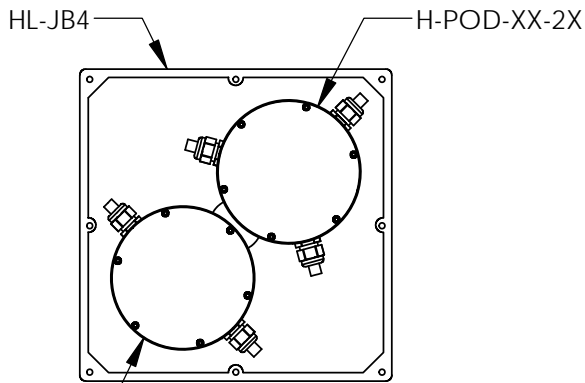
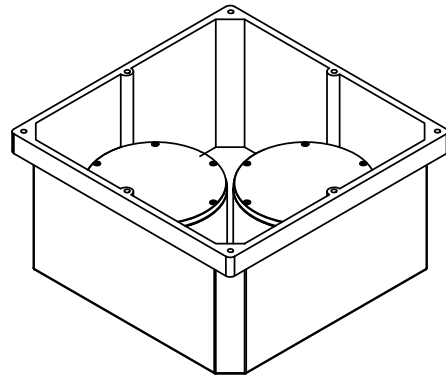
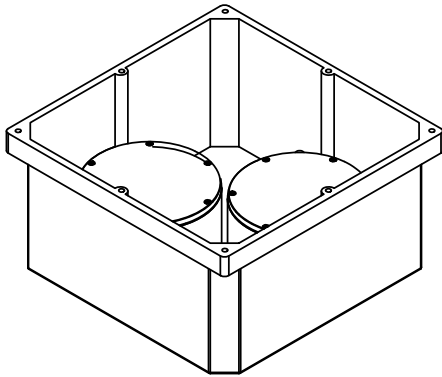
CATALOG NUMBER:

**H-POD**

## H-POD CONFIGURATIONS IN HL-JB4

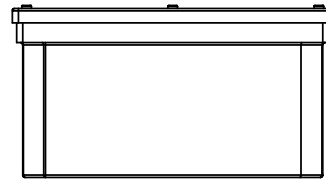
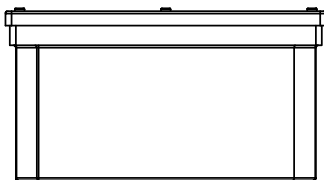
1 x HL-JB4 (OPTIONAL)  
 1 x H-POD-XX  
 1 x H-POD-XX-2X

1 x HL-JB4 (OPTIONAL)  
 2 x H-POD-XX-2X



H-POD-XX

H-POD-XX-2X



PROJECT:

APPROVED:

NOTE:

TYPE:

**H** HEVI LITE, INC.  
 9714 Variel Ave, Chatsworth, CA 91311  
 Tel., (818) 341-8091 - Fax (818) 998-1986  
 Web Site <http://www.hevilite.com>

CATALOG NUMBER:

**H-POD**