

SPECIFICATIONS

DESCRIPTION:

Compact MR16 round step light, with open lens. Suitable for wet/damp/dry location installations.

MATERIAL:

Standard overall material is 6061 aluminum.
HL-146 - Machined Aluminum

FINISH:

- AA** - Anodized Satin Aluminum
- AP** - Powder Coat Aluminum
- BK** - Powder Coat Black
- BZ** - Powder Coat Bronze
- WT** - Powder Coat White

HALOGEN LAMPING OPTION:

Lamp Type - 12V halogen MR16 lamp, bi-pin GX5.3 base, 50W max, not included (standard).

LED OPTIONS

Integral high output LED, warm white 85 CRI (3000K CCT) standard, others available.
3LED - 3W LED - 180 lumens
8LED - 8W LED - 300 lumens
8LED-E - 8.4W LED - 565 lumens

OPTICS

- 3LED and 8LED:
 - SP** - Spot, 12°
 - NF** - Narrow Flood, 24°
 - FL** - Flood, 36°
- 8LED-E:
 - SP** - Spot 14°
 - NF** - Narrow Flood, 25°
 - MF** - Medium Flood, 30°
 - FL** - Flood, 40°

VOLTAGE:

12 - 12 VAC output transformer required, not included.

MOUNTING:

Fixture is equipped with a 4.75" mounting plate and (2) mounting screws. Mounts directly to standard electrical junction boxes (HL-198-JB) or with optional pour housing (HL-45PH).

OPTIONS:

Lenses - Standard lens is diffused with internal half shield for reduced lamp glare.
90 - Linear spread lens
91 - Solite lens
93 - Prismatic lens
98 - Internal half shield for above lenses

Mounting Accessories

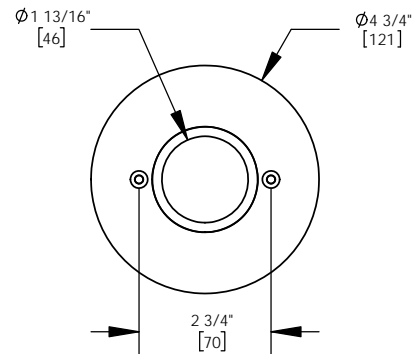
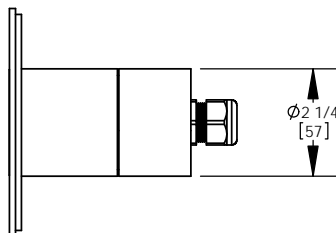
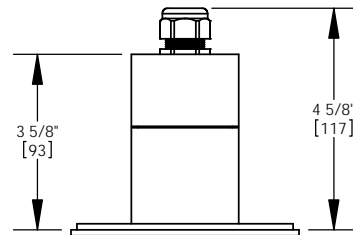
HL-45PH - Aluminum Pour Housing
HL-198-JB - Steel Octagonal Box w/Mud Ring
 See fixture accessories for more information.

RATING:

Wet/damp/dry location.



MADE IN THE USA



ORDER SPECIFICATION: _____ - _____ - _____ - _____ - _____
Fixture Finish Lamping Voltage Options/Access.

PROJECT: _____
APPROVED: _____
NOTE: _____
TYPE: _____

HEVI LITE, INC.
 9714 Variel Ave, Chatsworth, CA 91311
 Tel., (818) 341-8091 - Fax (818) 998-1986
 Web Site <http://www.hevilite.com>

CATALOG NUMBER:
HL-146