

# SPECIFICATIONS

**DESCRIPTION:**

Surface mount canopy. Suitable for wet/damp/dry location installation.

**MATERIAL:**

Standard overall material is 6061 aluminum.  
**SM-9** - Machined Aluminum

**FINISH:**

- AA - Anodized Satin Aluminum
- AP - Powder Coat Aluminum
- BK - Powder Coat Black
- BZ - Powder Coat Bronze
- WT - Powder Coat White

**VOLTAGE:**

120 - (1) 120/12 VAC 60W electronic transformer included.

**MOUNTING:**

Canopy is equipped with (1) 1/2-NPS mount for (1) fixture, mounting tabs and (1) conduit hub.

**SAMPLE ORDER SPECIFICATION:**

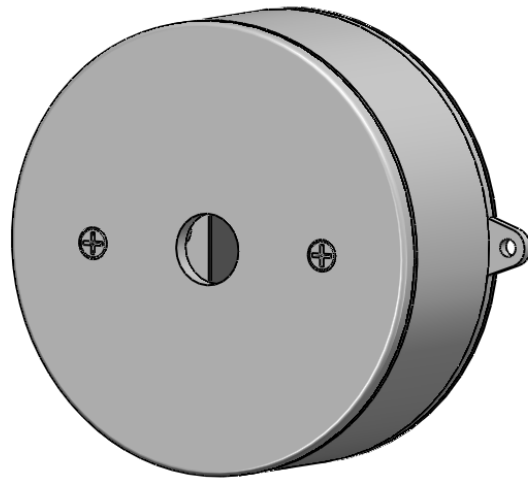
SM-9-AA-120

**RATING:**

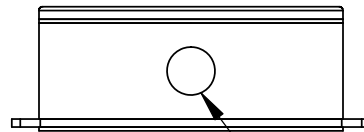
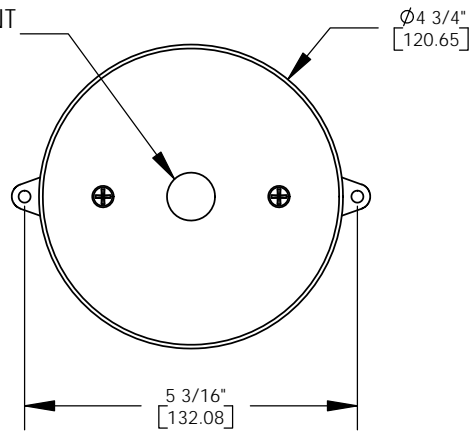
Wet/damp/dry location.



**MADE IN THE USA**



FIXTURE MOUNT  
(1/2-NPS)



CONDUIT HUB  
(1/2-NPS)

ORDER SPECIFICATION: \_\_\_\_\_  
Fixture - Finish - Lamping - Voltage - Options/Access.

PROJECT:

APPROVED:

NOTE:

TYPE:

**HEVI LITE, INC.**  
 7524 Deering Ave, Canoga Park, CA 91303  
 Tel., (818) 710-0728 - Fax (818) 710-0756  
 Web Site <http://www.hevilite.com>

CATALOG NUMBER:

**SM-9**