

SPECIFICATIONS

DESCRIPTION:

Machined round cover plate. Suitable for wet/damp/dry location installations.

MATERIAL:

Standard overall material is 6061 aluminum.

WM-2 - Machined Aluminum (Standard)

WM-2-2b - Machined Brass

FINISH:

AA - Anodized Satin Aluminum

AP - Powder Coat Aluminum

BK - Powder Coat Black

BZ - Powder Coat Bronze

WT - Powder Coat White

N - Natural, for Stainless Steel and Brass

MOUNTING:

Cover is equipped with a 1/2-NPS mount, locknut, gasket and (2) mounting screws.

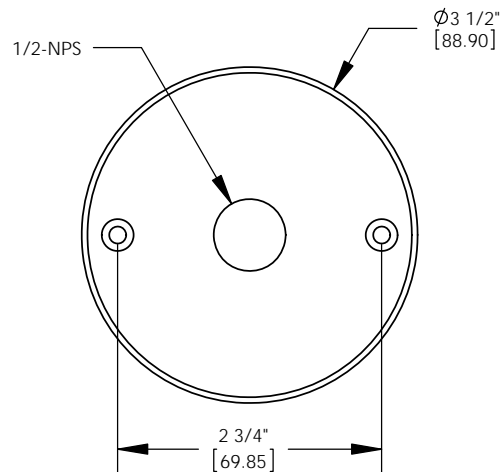
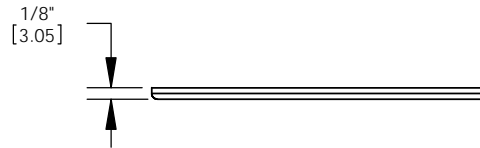
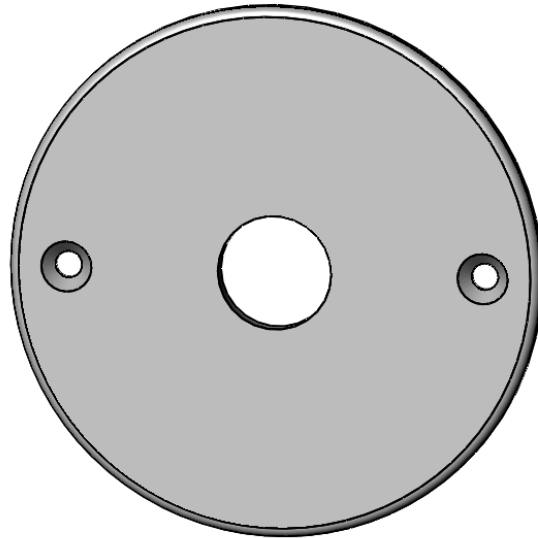
SAMPLE ORDER SPECIFICATION:

WM-2-2b-N

RATING:

Wet/damp/dry location.

MADE IN THE USA



ORDER SPECIFICATION: _____ - _____ - _____ - _____ - _____
Fixture Finish Lamping Voltage Options/Access.

PROJECT: _____
 APPROVED: _____
 NOTE: _____
 TYPE: _____

H HEVI LITE, INC.
 9714 Variel Ave, Chatsworth, CA 91311
 Tel., (818) 341-8091 - Fax (818) 998-1986
 Web Site <http://www.hevilite.com>

CATALOG NUMBER:
WM-2