

# SPECIFICATIONS

**DESCRIPTION:**

Small machined square cover plate. Suitable for wet/damp/dry location installations.

**MATERIAL:**

Standard overall material is 6061 aluminum.

**WM-4** - Machined Aluminum (Standard)

**WM-4-2b** - Machined Brass

**FINISH:**

**AA** - Anodized Satin Aluminum

**AP** - Powder Coat Aluminum

**BK** - Powder Coat Black

**BZ** - Powder Coat Bronze

**WT** - Powder Coat White

**N** - Natural, for Stainless Steel and Brass

**MOUNTING:**

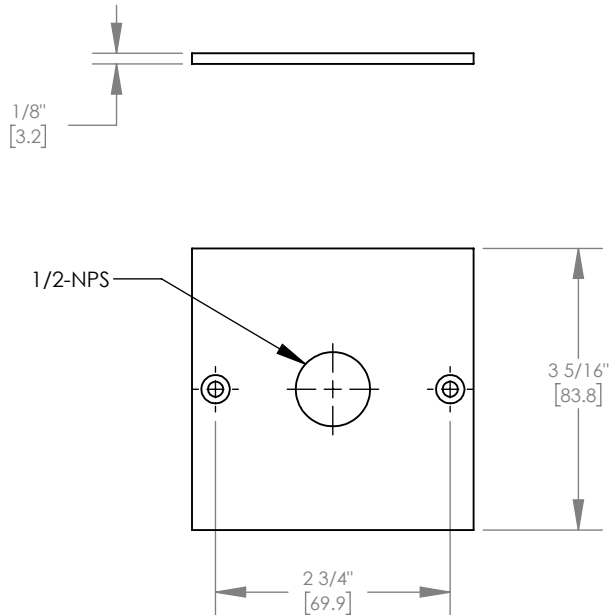
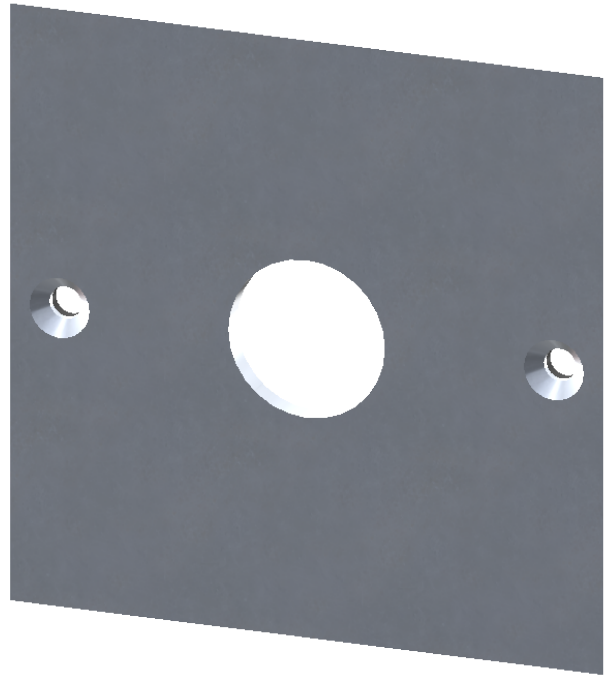
Wall plate mounts directly to 3" octagonal J-boxes and is equipped with 1/2-NPS mount, locknut, gasket and (2) mounting screws.

**SAMPLE ORDER SPECIFICATION:**

WM-4-2b-N

**RATING:**

Wet/damp/dry location.

**MADE IN THE USA**

ORDER SPECIFICATION: \_\_\_\_\_ - \_\_\_\_\_ - \_\_\_\_\_ - \_\_\_\_\_ - \_\_\_\_\_  
Fixture Finish Lamping Voltage Options/Access.

PROJECT:

APPROVED:

NOTE:

TYPE:

**HEVI LITE, INC.**

9714 Variel Ave, Chatsworth, CA 91311  
Tel., (818) 341-8091 - Fax (818) 998-1986  
Web Site <http://www.hevilite.com>

CATALOG NUMBER:

**WM-4**