

# SPECIFICATIONS

**DESCRIPTION:**

PAR20 straight glare shield. Suitable for wet/damp/dry location installations.

**MATERIAL:**

Standard overall material is 6061 aluminum.

**GL-23** - Machined Aluminum

**GL-24** - Machined Brass

**FINISH:**

**AA** - Anodized Satin Aluminum

**AP** - Powder Coat Aluminum

**BK** - Powder Coat Black

**BZ** - Powder Coat Bronze

**WT** - Powder Coat White

**N** - Natural, for Stainless Steel and Brass

**MOUNTING:**

Glare shield fits all PAR20 fixtures with 2.75" bezels.

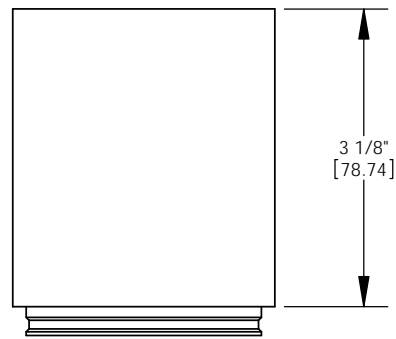
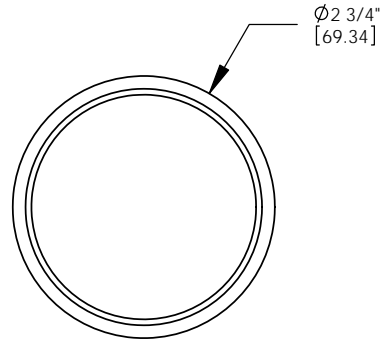
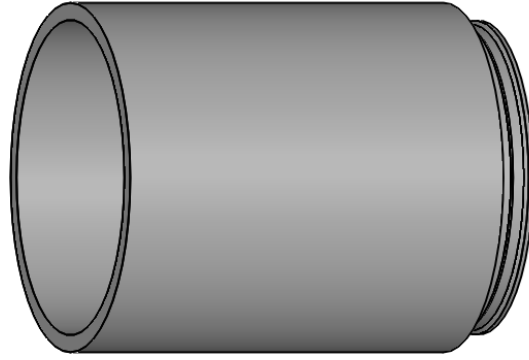
**SAMPLE ORDER SPECIFICATION:**

GL-23-AA

**RATING:**

Wet/damp/dry location.

**MADE IN THE USA**



ORDER SPECIFICATION: \_\_\_\_\_ - \_\_\_\_\_ - \_\_\_\_\_ - \_\_\_\_\_ - \_\_\_\_\_  
Fixture Finish Lamping Voltage Options/Access.

PROJECT: \_\_\_\_\_

APPROVED: \_\_\_\_\_

NOTE: \_\_\_\_\_

TYPE: \_\_\_\_\_

**H HEVI LITE, INC.**  
 9714 Variel Ave, Chatsworth, CA 91311  
 Tel., (818) 341-8091 - Fax (818) 998-1986  
 Web Site <http://www.hevilite.com>

CATALOG NUMBER:

**GL-23/GL-24**