

SPECIFICATIONS

DESCRIPTION:

Slim LED pathway bollard. Available in 4 standard heights. Suitable for wet/damp/dry location installations.

MATERIAL:

Standard overall material is 6061 aluminum.

FINISH:

- AA - Anodized Satin Aluminum
- AP - Powder Coat Aluminum
- BK - Powder Coat Black
- BZ - Powder Coat Bronze
- WT - Powder Coat White

LED OPTIONS:

Integral high output LED, warm white (3000K CCT) standard, others available.

- 1LED - 1W LED
- 3LED - 3W LED

VOLTAGE:

12 - 12 VAC output transformer required, not included.

MOUNTING:

Mounts to standard Hevi Lite ground mounts with 1/2-NPS thread.

- GM-1 Composit mounting spike
- GM-2 Cast mounting spike.
- GM-3 Stainless steel triple prong spike.
- GM-4 Stainless steel triple prong spike w/j-box
- GM-5 ABS mounting spike w/ wiring compartment
- GM-6 Cast mounting spike with wiring box
- GM-7 Cork screw style mounting spike
- GM-8 Cast in grade j-box
- GM-9 Landscape power post

ACCESSORIES:

Available with concrete pour flange.

SIZES:

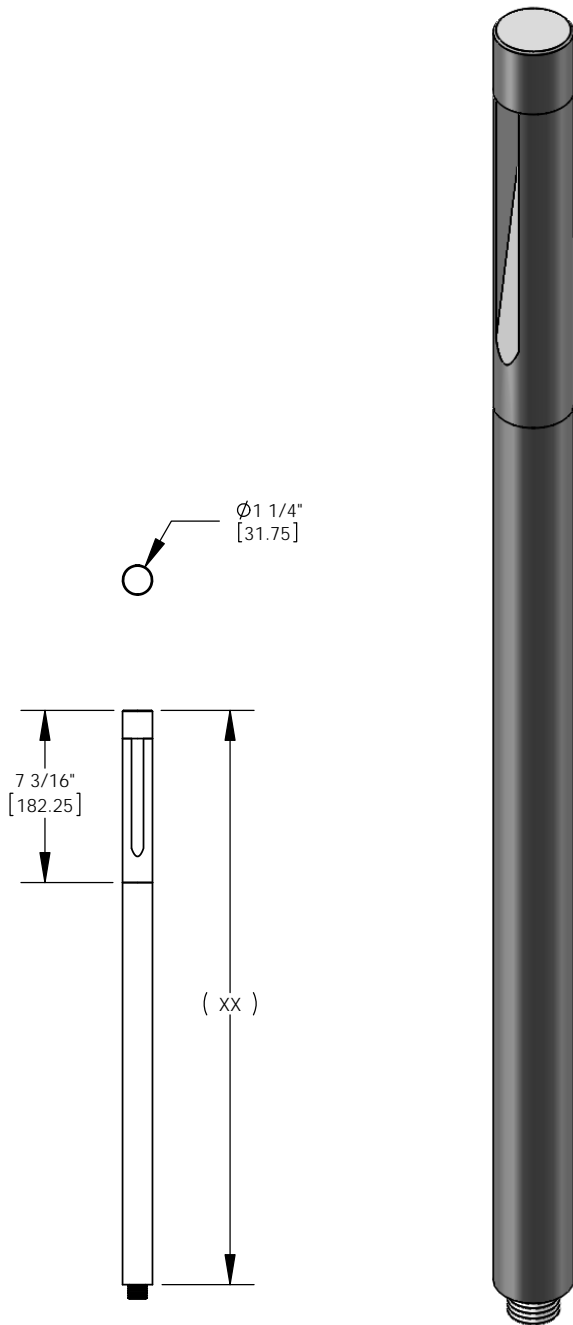
Standard mounting heights.

- 12 - 12 inch tall
- 18 - 18 inch tall
- 24 - 24 inch tall
- 30 - 30 inch tall

RATING:

Wet/damp/dry location.

MADE IN THE USA



ORDER SPECIFICATION: _____ - _____ - _____ - _____ - _____
Fixture Finish Lamping Voltage Options/Access.

PROJECT: _____
 APPROVED: _____
 NOTE: _____
 TYPE: _____

HEVI LITE, INC.
 9714 Variel Ave, Chatsworth, CA 91311
 Tel., (818) 341-8091 - Fax (818) 998-1986
 Web Site <http://www.hevilite.com>

CATALOG NUMBER:
HL-6002