

SPECIFICATIONS

DESCRIPTION:

Compact recessed in-grade LED up light.
Suitable for wet/damp location installations.

MATERIAL:

Standard overall material is 6061 aluminum.
HL-810-LED - Machined Aluminum

FINISH:

- AA** - Anodized Satin Aluminum
- AP** - Powder Coat Aluminum
- BK** - Powder Coat Black
- BZ** - Powder Coat Bronze
- WT** - Powder Coat White

LED OPTIONS:

Integral high output LED, warm white
(3000K CCT) standard, others available.

- 1LED** - 1W LED
- 3LED** - 3W LED

Optics

- SP** - Spot, 12°
- NF** - Narrow Flood, 24°
- FL** - Flood, 36°

VOLTAGE:

12 - 12 VAC output transformer required,
not included.

MOUNTING:

Suitable for installation into concrete,
masonry, or any other non-combustible
materials.

OPTIONS:

Lenses/Louvers/Color Filters

- LA-1** - Hexcell Louver (Black)
- LA-2** - Prismatic lens
- LA-3** - Linear spread lens
- LA-4** - Soft focus lens (diffused)
- LA-5** - Moonlight lens
- LA-6** - Blue lens

Pour Housing - Aluminum tube

HL-10PH - Aluminum flange

See fixture accessories for more information.

SAMPLE ORDER SPECIFICATION:

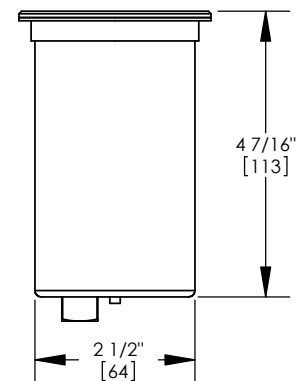
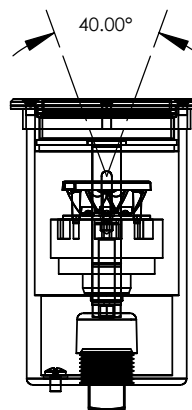
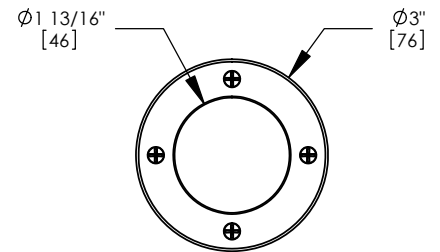
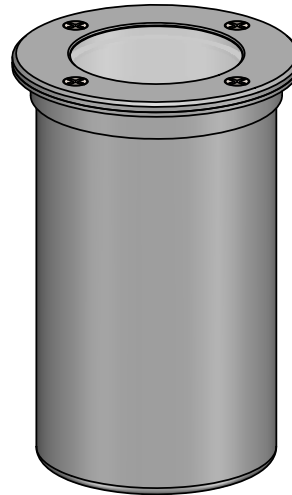
HL-810-3LED-AA-NF-12-LA-2-HL-10PH

RATING:

Wet/damp location - IP67



MADE IN THE USA



ORDER SPECIFICATION: _____ - _____ - _____ - _____ - _____
Fixture Finish Optics Voltage Options/Access.

PROJECT: _____
APPROVED: _____
NOTE: _____
TYPE: _____

HEVI LITE, INC.
 9714 Variel Ave, Chatsworth, CA 91311
 Tel., (818) 341-8091 - Fax (818) 998-1986
 Web Site <http://www.hevilite.com>

CATALOG NUMBER:

HL-810-LED