

SPECIFICATIONS

DESCRIPTION:

Surface mount canopy with (1) LED driver, for (1) fixture. Suitable for wet/damp/dry location installations.

MATERIAL:

Standard overall material is 6061 aluminum.
SMED - Machined Aluminum

FINISH:

- AA** - Anodized Satin Aluminum
- AP** - Powder Coat Aluminum
- BK** - Powder Coat Black
- BZ** - Powder Coat Bronze
- WT** - Powder Coat White

COMPATIBLE FIXTURES

HL-920
 HL-925

DRIVER:

Constant current LED driver.
L30 - 350mA 16W driver
L35 - 500mA 23W driver
L40 - 700mA 32W driver
L50 - 1050mA 34W driver

VOLTAGE:

Integral LED driver. Dimmable only in 120v
120-277 - 120-277 VAC - Leading edge/Trailing edge dimmable.
120-277-0-10 - 120-277 VAC - 0-10v dimming

MOUNTING:

Canopy is equipped with 1/2-NPS fixture mount, 1/2-NPS side conduit hub, (2) mounting tabs.

SAMPLE ORDER SPECIFICATION:

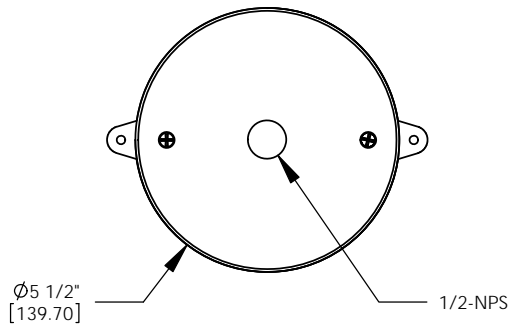
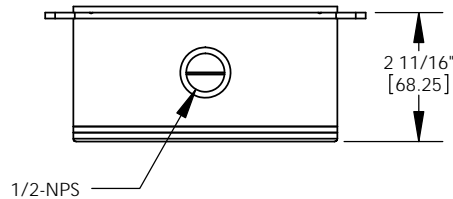
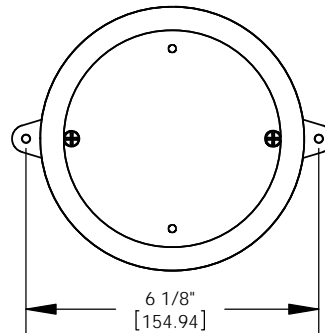
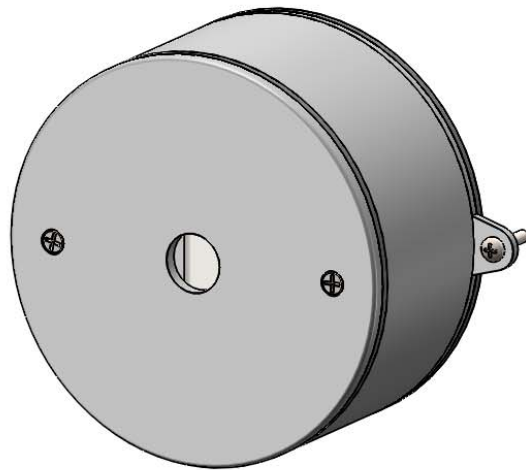
SMED-AA-L30-120-277

RATING:

Wet/damp/dry location.



MADE IN THE USA



ORDER SPECIFICATION: _____ - _____ - _____ - _____ - _____
Fixture Finish Lamping Voltage Options/Access.

PROJECT:

APPROVED:

NOTE:

TYPE:

H HEVI LITE, INC.
 9714 Variel Ave, Chatsworth, CA 91311
 Tel., (818) 341-8091 - Fax (818) 998-1986
 Web Site <http://www.hevilite.com>

CATALOG NUMBER:

SMED