

# SPECIFICATIONS

**DESCRIPTION:**

Direct burial LED Driver pod with (1) driver. Pod is equipped with moisture-lock cords to prevent water wicking. Suitable for wet/damp/dry location installation.

**MATERIAL:**

Standard overall material is 6061 aluminum.  
**H-POD-LED** - Machined Aluminum

**FINISH:**

Black Powder Coat Paint

**COMPATIBLE FIXTURES**

HL-920  
 HL-925

**DRIVER:**

Constant current LED driver.

- L30** - 350mA / 16W driver
- L35** - 500mA / 23W driver
- L40** - 700mA / 32W driver
- L50** - 1050mA / 34W driver

**VOLTAGE:**

Integral LED driver, leading edge/trailing edge dimmable. Dimmable only in 120V.  
**120-277** - 120-277 VAC LED driver.

**MOUNTING:**

Mounted in direct burial box.

**OPTIONS:**

**HL-JB4** - Composite 12"x12"x6" box

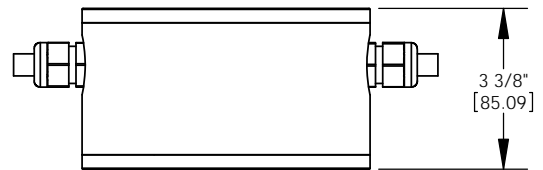
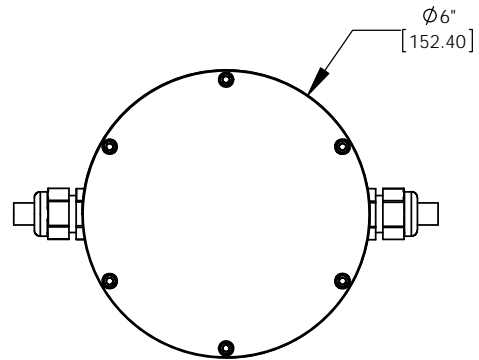
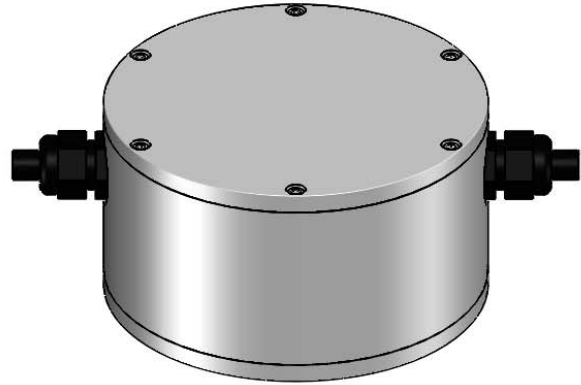
**SAMPLE ORDER SPECIFICATION:**

H-POD-LED-L30-120-277-HL-JB4

**RATING:**

Wet/damp/dry location.

**MADE IN THE USA**



ORDER SPECIFICATION: \_\_\_\_\_  
Fixture                      Finish                      Lamping                      Voltage                      Options/Access.

PROJECT: \_\_\_\_\_

APPROVED: \_\_\_\_\_

NOTE: \_\_\_\_\_

TYPE: \_\_\_\_\_

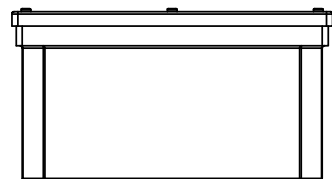
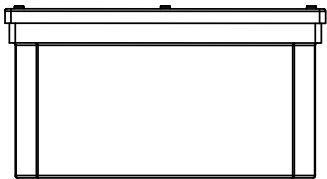
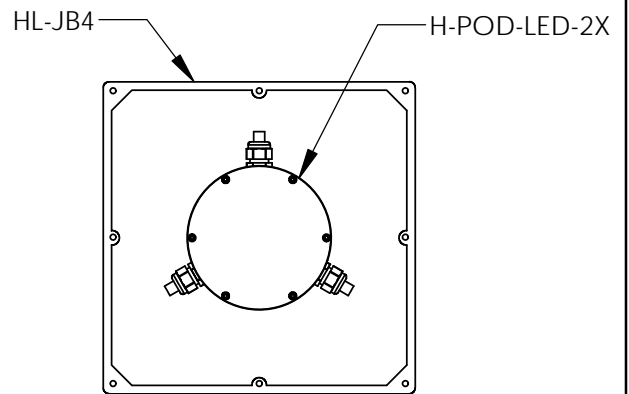
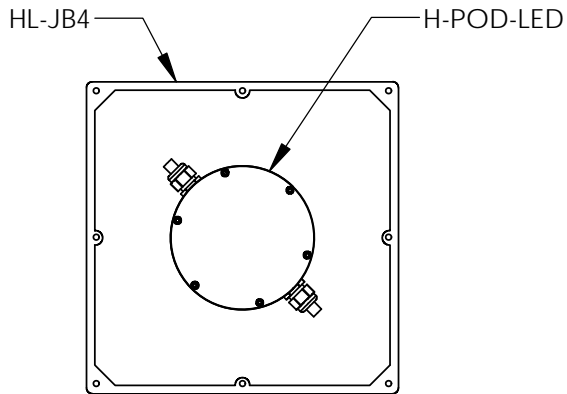
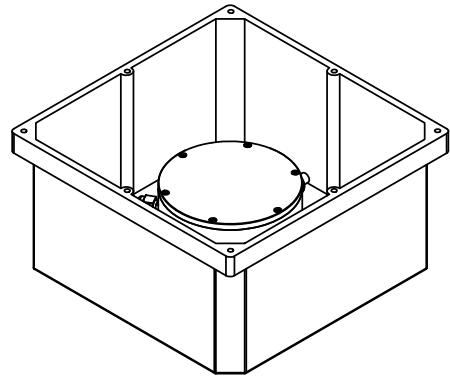
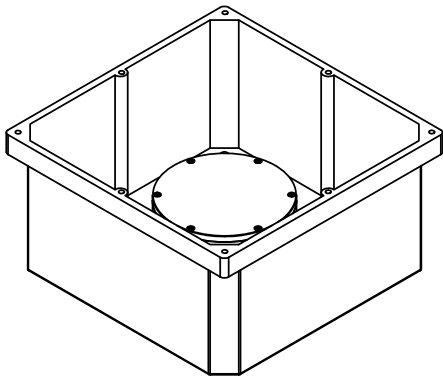
**H HEVI LITE, INC.**  
 9714 Variel Ave, Chatsworth, CA 91311  
 Tel., (818) 341-8091 - Fax (818) 998-1986  
 Web Site <http://www.hevilite.com>

CATALOG NUMBER:  
**H-POD-LED**

# H-POD CONFIGURATIONS IN HL-JB4

1 x HL-JB4 (OPTIONAL)  
1 x H-POD-LED

1 x HL-JB4 (OPTIONAL)  
1 x H-POD-LED-2X



PROJECT:

APPROVED:

NOTE:

TYPE:

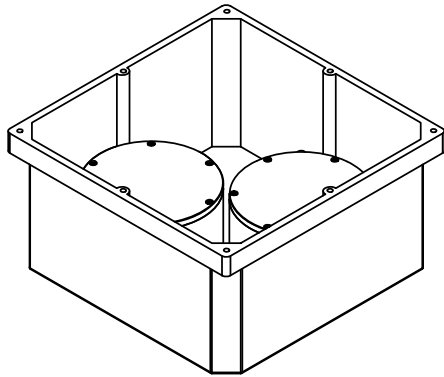
**H** HEVI LITE, INC.  
9714 Variel Ave, Chatsworth, CA 91311  
Tel., (818) 341-8091 - Fax (818) 998-1986  
Web Site <http://www.hevilite.com>

CATALOG NUMBER:

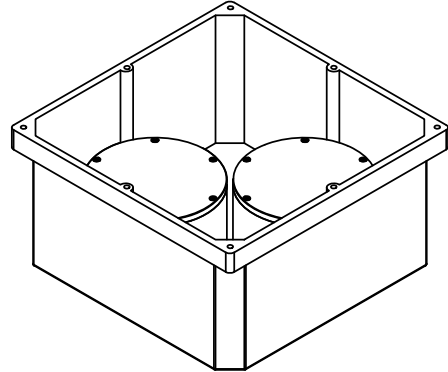
**H-POD-LED**

## H-POD CONFIGURATIONS IN HL-JB4

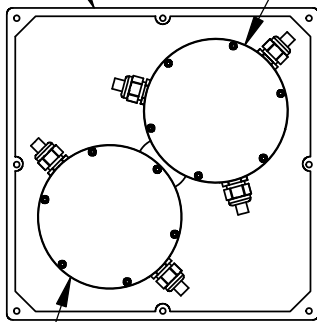
1 x HL-JB4 (OPTIONAL)  
 1 x H-POD-LED  
 1 x H-POD-LED-2X



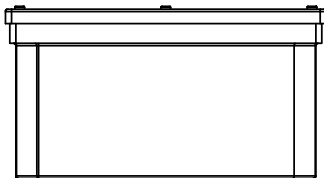
1 x HL-JB4 (OPTIONAL)  
 2 x H-POD-LED-2X



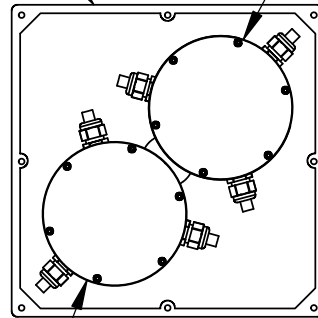
HL-JB4      H-POD-LED-2X



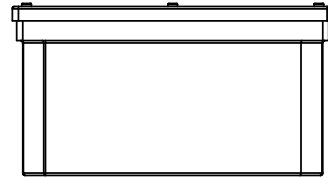
H-POD-LED



HL-JB4      H-POD-LED-2X



H-POD-LED-2X



PROJECT:

APPROVED:

NOTE:

TYPE:

**H** HEVI LITE, INC.

9714 Variel Ave, Chatsworth, CA 91311  
 Tel., (818) 341-8091 - Fax (818) 998-1986  
 Web Site <http://www.hevilite.com>

CATALOG NUMBER:

**H-POD-LED**