

SPECIFICATIONS

DESCRIPTION:

Concrete mount for mounting pathlights and fixtures flush with grade. Suitable for wet/damp/dry location installations.

MATERIAL:

Standard overall material is 6061 aluminum.

FINISH:

- AA - Anodized Satin Aluminum
- AP - Powder Coat Aluminum
- BK - Powder Coat Black
- BZ - Powder Coat Bronze
- WT - Powder Coat White

VOLTAGE:

For use with low voltage fixtures.

MOUNTING:

Concrete mounts flush with concrete grade. Fixture is equipped (1) 1/2-NPS fixture mount and (2) 1/2-NPS conduit hubs.

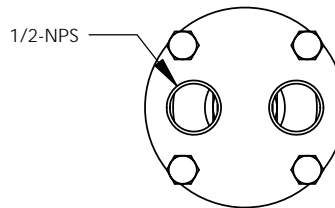
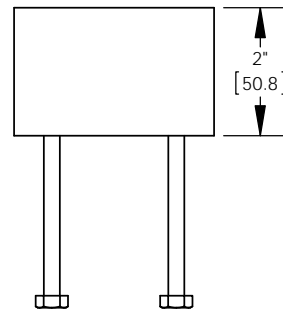
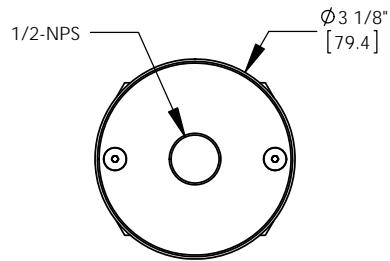
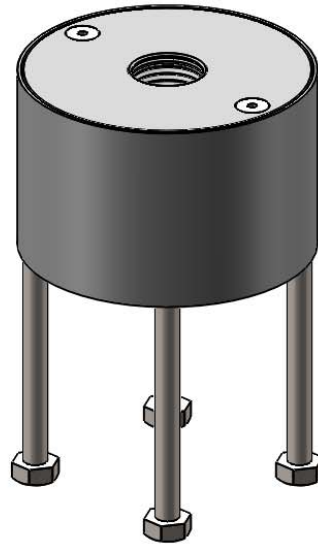
SAMPLE ORDER SPECIFICATION:

HL-60CM-AA

RATING:

Wet/damp/dry location.

MADE IN THE USA



ORDER SPECIFICATION: _____ - _____ - _____ - _____ - _____
Fixture Finish Lamping Voltage Options/Access.

PROJECT: _____

APPROVED: _____

NOTE: _____

TYPE: _____

H HEVI LITE, INC.
 9714 Variel Ave, Chatsworth, CA 91311
 Tel., (818) 341-8091 - Fax (818) 998-1986
 Web Site <http://www.hevilite.com>

CATALOG NUMBER:
GM-60CM