

SPECIFICATIONS

DESCRIPTION:

Compact recessed in-grade fixture with adjustable light source. Suitable for wet/damp location installations.

MATERIAL:

Standard overall material is 6061 aluminum.
HL-822-GU10 - Machined Aluminum
HL-822-GU10-1 - Machined Stainless Steel
HL-822-GU10-2 - Machined Brass

FINISH:

AA - Anodized Satin Aluminum
AP - Powder Coat Aluminum
BK - Powder Coat Black
BZ - Powder Coat Bronze
WT - Powder Coat White
N - Natural, for Stainless Steel and Brass

LAMPING:

Lamp Type - Halogen/LED MR16 lamp, GU10 base, 50W max, not included.

VOLTAGE:

Line voltage fixture, 120V

MOUNTING:

Suitable for installation into concrete, masonry, or any non-combustible material

OPTIONS:

Lenses/Louvers/Color Filters
LA-1-820 - Hexcell Louver (Black)
LA-2-820 - Prismatic lens
LA-3-820 - Linear spread lens
LA-4-820 - Soft focus lens (diffused)
LA-5-820 - Moonlight lens
LA-6-820 - Blue lens

Other

LA-820 - Lens and louver holder

Pour Housing

HL-20PH - Aluminum

See fixture accessories for more information.

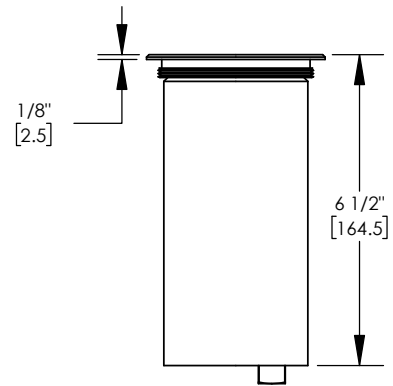
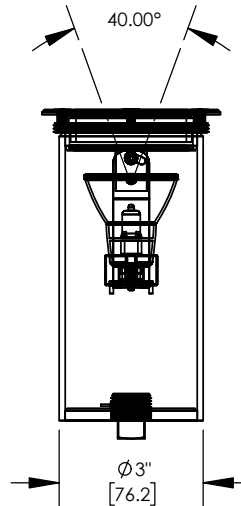
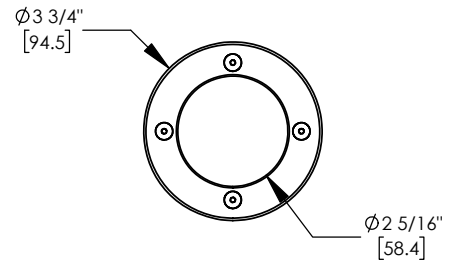
SAMPLE ORDER SPECIFICATION:

HL-822-GU10-AA-LA-3-LA-820-HL-26PH

RATING:

Wet/damp location.

MADE IN THE USA



ORDER SPECIFICATION: _____ - _____ - _____ - _____ - _____
Fixture Finish Lamping Voltage Options/Access.

PROJECT:

APPROVED:

NOTE:

TYPE:

HEVI LITE, INC.

9714 Variel Ave, Chatsworth, CA 91311
 Tel., (818) 341-8091 - Fax (818) 998-1986
 Web Site <http://www.hevilite.com>

CATALOG NUMBER:

HL-822-GU10