

# SPECIFICATIONS

**DESCRIPTION:**

Compact LED path light with a 24" 90° stem extension. Suitable for wet/damp/dry location installations.

**MATERIAL:**

Standard overall material is 6061 aluminum.  
**HL-610-LED** - Machined Aluminum

**FINISH:**

- AA - Anodized Satin Aluminum
- AP - Powder Coat Aluminum
- BK - Powder Coat Black
- BZ - Powder Coat Bronze
- WT - Powder Coat White

**LED OPTIONS:**

Integral high output 1W LED, warm white (3000K CCT) standard, others available.

**Optics**

- SP - Spot, 12°
- NF - Narrow Flood, 24°
- FL - Flood, 36°

**VOLTAGE:**

12 - 12 VAC output transformer required, not included.

**MOUNTING:**

Fixture is equipped with a 1/2" NPS stem extension.

**OPTIONS:**

Glare shields

- GL-1 - Angled, aluminum
- GL-3 - Straight, aluminum

Ground Mounts

- GM-1 - Composite spike
- GM-2 - Cast spike
- GM-3 - Stainless steel spike
- GM-4 - Stainless steel spike with wiring compartment
- GM-5 - Composite spike with wiring compartment
- GM-6 - Cast spike with wiring compartment
- GM-7 - Cork screw spike
- GM-8 - Cast brass in-grade J-Box
- GM-9 - Landscape Post

Lenses/Louvers/Color Filters

- LA-1-8 - Hexcell Louver (Black)
- LA-2-8 - Prismatic lens
- LA-3-8 - Linear spread lens
- LA-4-8 - Soft focus lens (diffused)
- LA-5-8 - Moonlight lens
- LA-6-8 - Blue lens

See fixture accessories for more information.

**SAMPLE ORDER SPECIFICATION:**

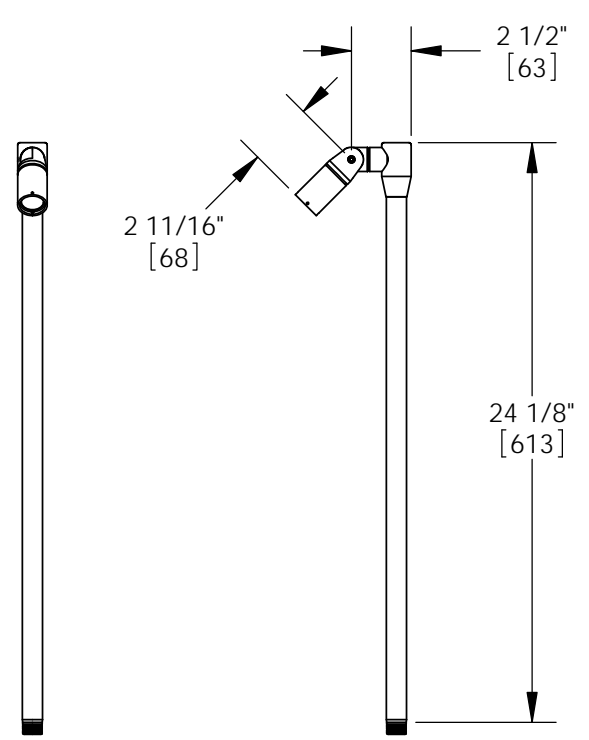
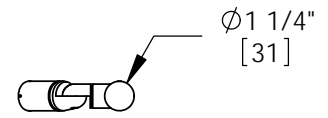
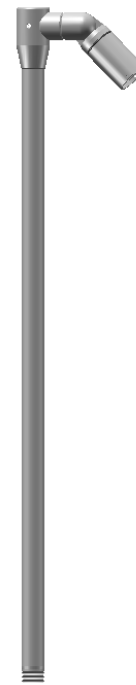
HL-610-LED-AA-SP-12-GL-3-LA-2-8

**RATING:**

Wet/damp/dry location.



MADE IN THE USA



ORDER SPECIFICATION: \_\_\_\_\_ - \_\_\_\_\_ - \_\_\_\_\_ - \_\_\_\_\_ - \_\_\_\_\_  
Fixture Finish Lamping Voltage Options/Access.

PROJECT: \_\_\_\_\_  
 APPROVED: \_\_\_\_\_  
 NOTE: \_\_\_\_\_  
 TYPE: \_\_\_\_\_

**HEVI LITE, INC.**  
 9714 Variel Ave, Chatsworth, CA 91311  
 Tel., (818) 341-8091 - Fax (818) 998-1986  
 Web Site <http://www.hevilite.com>

CATALOG NUMBER:  
**HL-610-LED-12V**