

SPECIFICATIONS

DESCRIPTION:

Angled glare shield. Suitable for wet/damp/dry location installations.

MATERIAL:

Standard overall material is 6061 aluminum.

GL-915 - Machined Aluminum

GL-915-2 - Machined Brass

FINISH:

AA - Anodized Satin Aluminum

AP - Powder Coat Aluminum

BK - Powder Coat Black

BZ - Powder Coat Bronze

WT - Powder Coat White

N - Natural, for Stainless Steel and Brass

MOUNTING:

Glare shield fits all fixtures with 2.75" bezels.

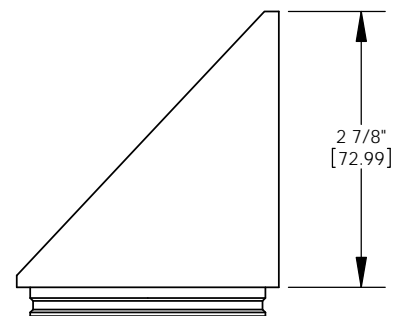
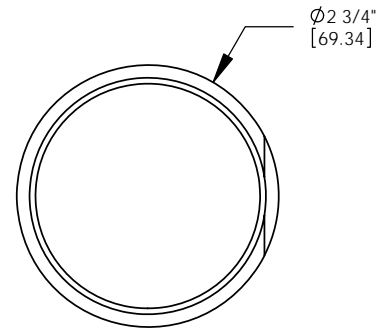
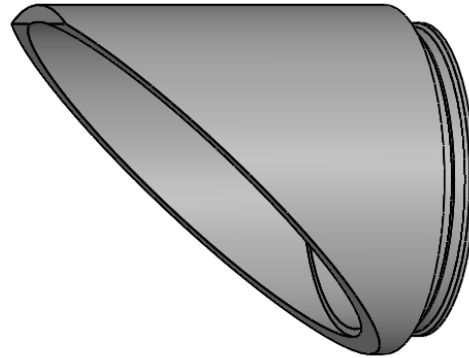
SAMPLE ORDER SPECIFICATION:

GL-915-AA

RATING:

Wet/damp/dry location.

MADE IN THE USA



ORDER SPECIFICATION: _____ - _____ - _____ - _____ - _____
Fixture Finish Lamping Voltage Options/Access.

PROJECT: _____

APPROVED: _____

NOTE: _____

TYPE: _____

H HEVI LITE, INC.
 9714 Variel Ave, Chatsworth, CA 91311
 Tel., (818) 341-8091 - Fax (818) 998-1986
 Web Site <http://www.hevilite.com>

CATALOG NUMBER:

GL-915-XX