

# SPECIFICATIONS

**DESCRIPTION:**

PAR20 straight glare shield. Suitable for wet/damp/dry location installations.

**MATERIAL:**

Standard overall material is 6061 aluminum.

**GL-916** - Machined Aluminum

**FINISH:**

- AA - Anodized Satin Aluminum
- AP - Powder Coat Aluminum
- BK - Powder Coat Black
- BZ - Powder Coat Bronze
- WT - Powder Coat White
- N - Natural, for Stainless Steel and Brass

**MOUNTING:**

Glare shield fits all PAR20 fixtures with 2.75" bezels.

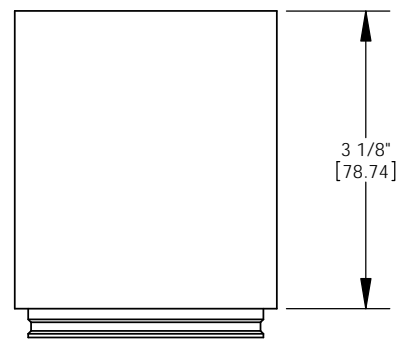
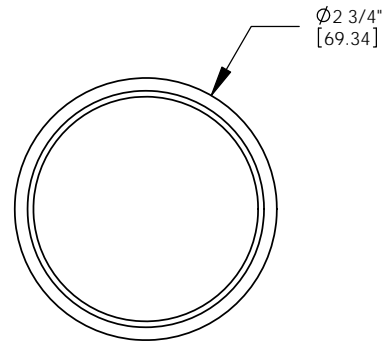
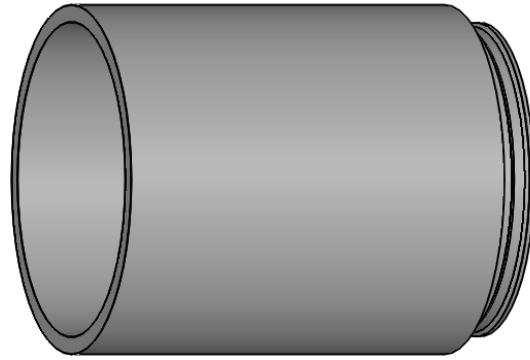
**SAMPLE ORDER SPECIFICATION:**

GL-916-AA

**RATING:**

Wet/damp/dry location.

**MADE IN THE USA**



ORDER SPECIFICATION: \_\_\_\_\_ - \_\_\_\_\_ - \_\_\_\_\_ - \_\_\_\_\_ - \_\_\_\_\_  
Fixture                                  Finish                                  Lamping                                  Voltage                                  Options/Access.

PROJECT: \_\_\_\_\_  
 APPROVED: \_\_\_\_\_  
 NOTE: \_\_\_\_\_  
 TYPE: \_\_\_\_\_

**H HEVI LITE, INC.**  
 9714 Variel Ave, Chatsworth, CA 91311  
 Tel., (818) 341-8091 - Fax (818) 998-1986  
 Web Site <http://www.hevilite.com>

CATALOG NUMBER:  
**GL-916**