

SPECIFICATIONS

DESCRIPTION:

Dual strap tree bracket for low voltage fixtures.
Suitable for wet/damp/dry location installations.

MATERIAL:

Standard overall material is 6061 aluminum.
SM-7 - Machined Aluminum (Standard)

FINISH:

- AA** - Anodized Satin Aluminum
- AP** - Powder Coat Aluminum
- BK** - Powder Coat Black
- BZ** - Powder Coat Bronze
- WT** - Powder Coat White
- N** - Natural, for Stainless Steel and Brass

VOLTAGE:

Wiring compartment is suitable for low voltage fixtures.

MOUNTING:

Mounts to surface/tree with nylon strap.
Fixture is designed with (2) 3/8" wiring holes on sides and (1) 1/2-NPS mount. Nylon straps diameter:
12 - 12" Diameter
24 - 24" Diameter
36 - 36" Diameter

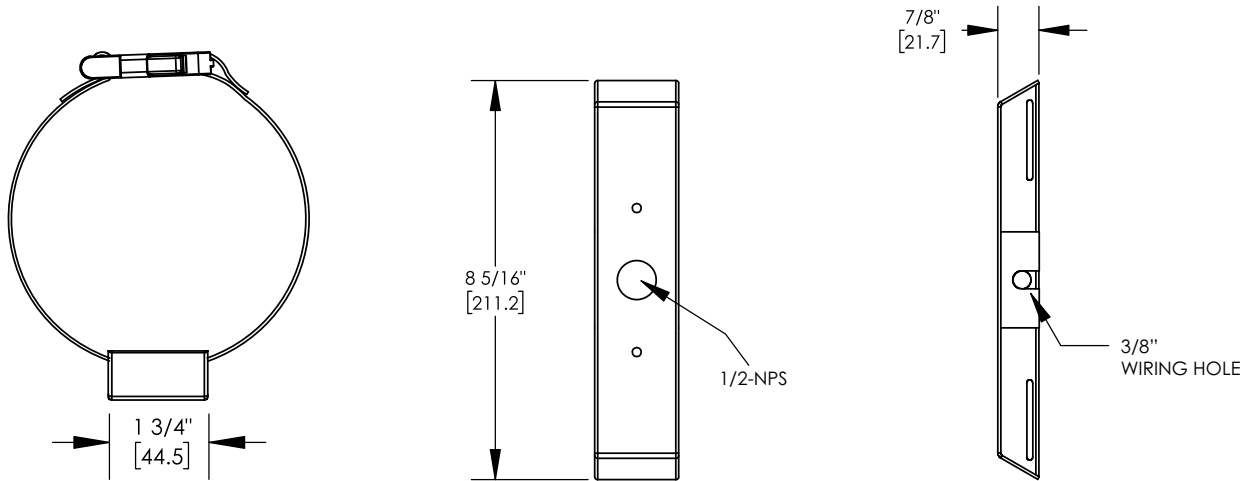
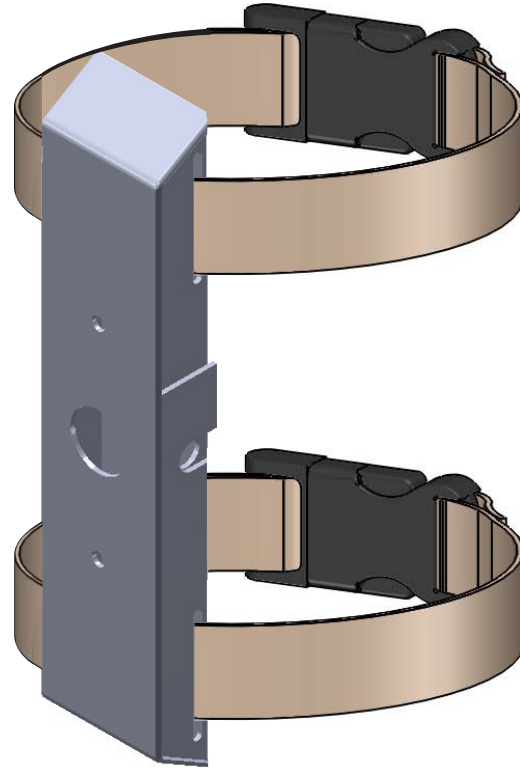
SAMPLE ORDER SPECIFICATION:

SM-7-BZ-24

RATING:

Wet/damp/dry location.

MADE IN THE USA



ORDER SPECIFICATION: _____ - _____ - _____ - _____ - _____
Fixture Finish Lamping Voltage Options/Access.

PROJECT: _____
 APPROVED: _____
 NOTE: _____
 TYPE: _____

HEVI LITE, INC.
 9714 Variel Ave, Chatsworth, CA 91311
 Tel., (818) 341-8091 - Fax (818) 998-1986
 Web Site <http://www.hevilite.com>

CATALOG NUMBER:
SM-7