

SPECIFICATIONS

DESCRIPTION:

Miniature DC LED step light available with either open or louvered bezel. Suitable for in wall or concrete installations. Suitable for wet/damp/dry location installations.

MATERIAL:

Standard overall material is 6061 aluminum.
C02810R - Machined Aluminum (Standard)
C02810R-1 - Machined Stainless Steel
C02810R-2 - Machined Brass

Bezel Style:

- O - Open Bezel
- L - Louvered Bezel

FINISH:

- AA - Anodized Satin Aluminum
- AP - Powder Coat Aluminum
- BK - Powder Coat Black
- BZ - Powder Coat Bronze
- WT - Powder Coat White
- N - Natural, for Stainless Steel and Brass

LED OPTIONS:

Integral high output LED, warm white (2700K CCT) standard, others available.
1LED - 1.5W LED

VOLTAGE:

12 - 12 VDC output power supply required, not included.

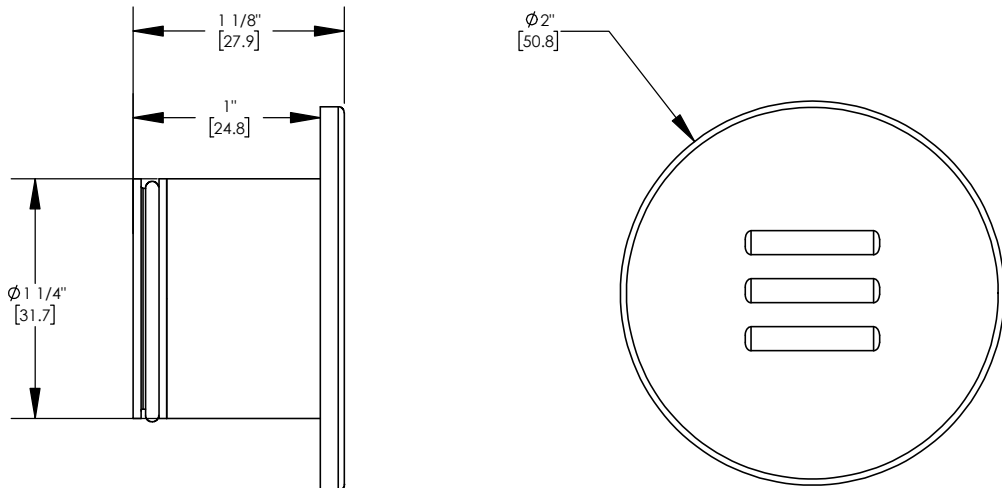
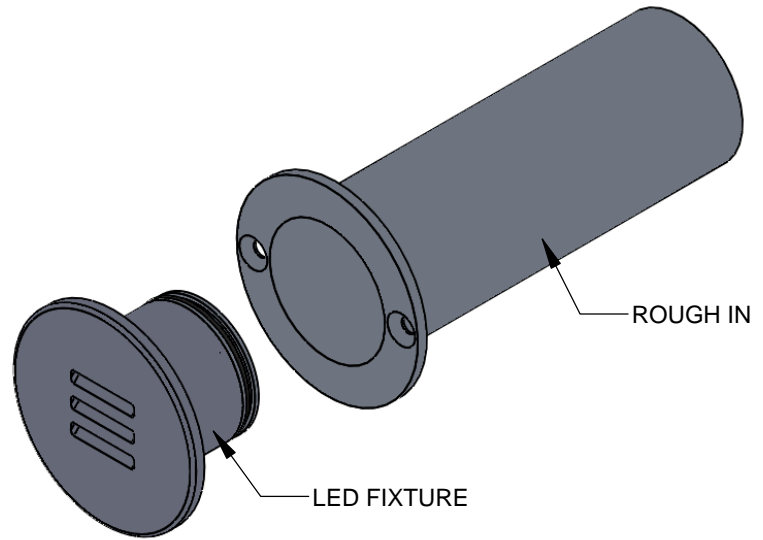
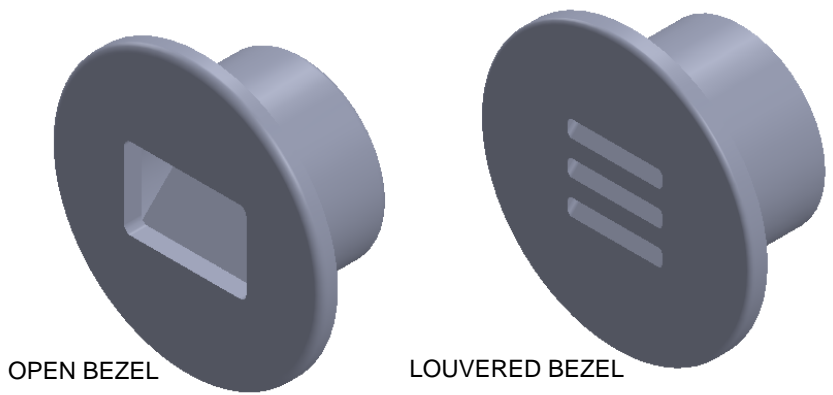
MOUNTING:

Fixture is designed to be used with a cylindrical rough in for in wall or concrete installations. Fixture is equipped with (2) mounting brackets and (2) mounting screws.

RATING:

Wet/damp/dry location.

MADE IN THE USA



PROJECT:	H HEVI LITE, INC. 9714 Variel Ave, Chatsworth, CA 91311 Tel., (818) 341-8091 - Fax (818) 998-1986 Web Site http://www.hevilite.com
APPROVED:	
NOTE:	
TYPE:	

CUSTOM NUMBER:
C02810R

REV.B