

SPECIFICATIONS

DESCRIPTION:

LED hanging pendant fixture. Suitable for wet/damp/dry location installation.

MATERIAL:

Standard overall material is 6061 aluminum.
C02583 - Machined Aluminum

FINISH:

- AA** - Anodized Satin Aluminum
- AP** - Powder Coat Aluminum
- BK** - Powder Coat Black
- BZ** - Powder Coat Bronze
- WT** - Powder Coat White

LED OPTIONS:

Integral high output 3W LED, warm white (3000K CCT) standard, others available.

Optics

- SP** - Spot, 12°
- NF** - Narrow Flood, 24°
- FL** - Flood, 36°

VOLTAGE:

12 - 12 VAC output transformer required, not included. 15ft SJO cord, included.

MOUNTING:

Fixture is equipped with a 4" mounting plate and (2) mounting screws.

OPTIONS:

Lenses/ Color Filters

- LA-2-11** - Prismatic lens
- LA-3-11** - Linear spread lens
- LA-4-11** - Soft focus lens (diffused)
- LA-5-11** - Moonlight lens
- LA-6-11** - Blue lens

Louvers

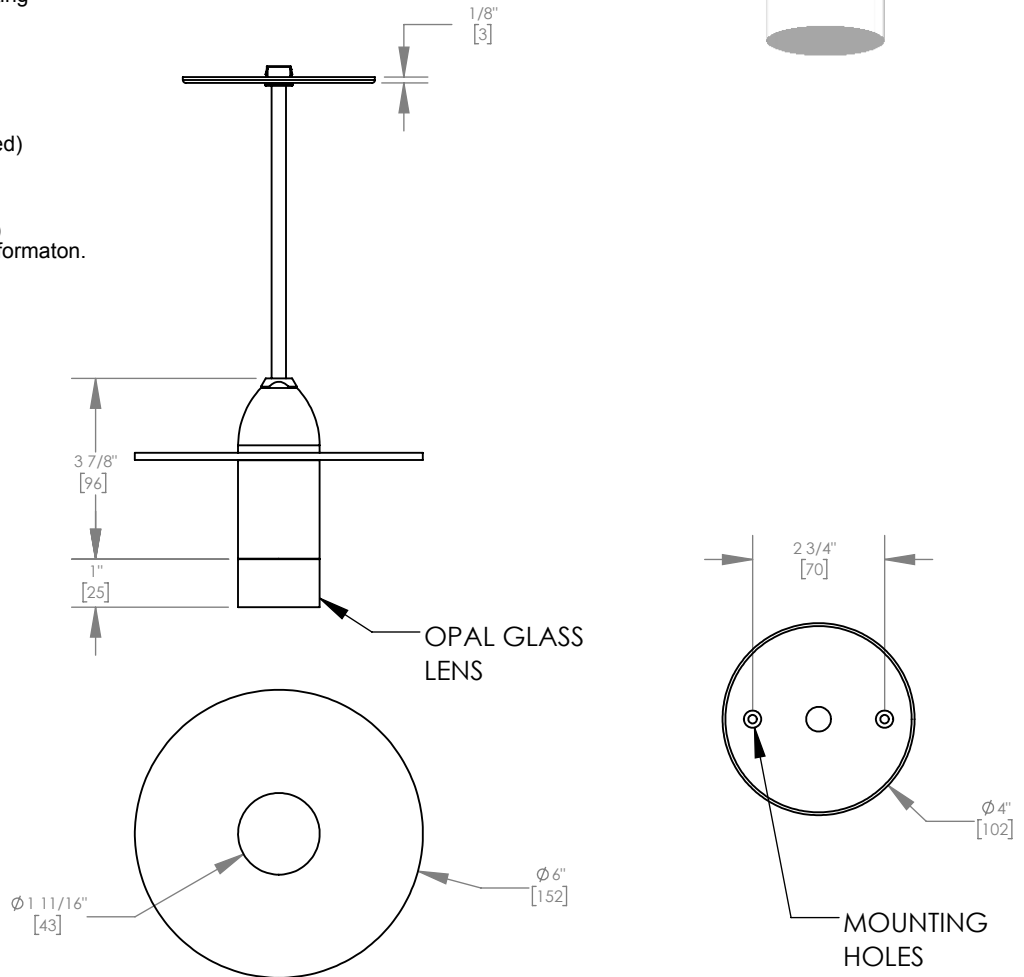
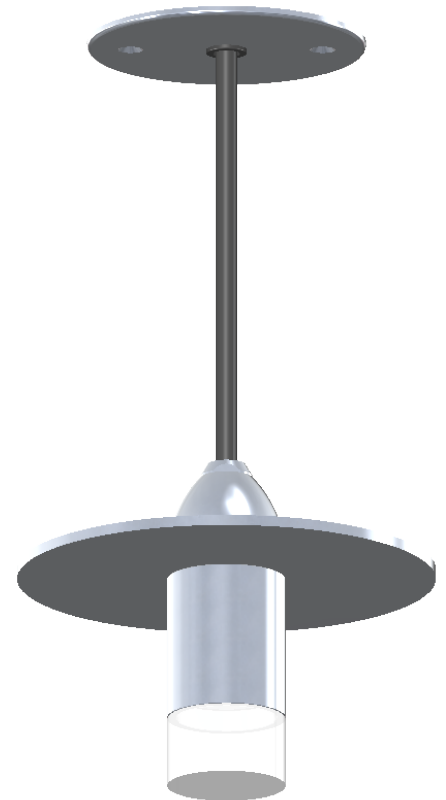
- LA-1-11** - Hexcell Louver (Black)

See fixture accessories for more informaton.

RATING:

Wet/damp/dry location.

MADE IN THE USA



PROJECT:
APPROVED:
NOTE:
TYPE:

HEVI LITE, INC.
 9714 Variel Ave, Chatsworth, CA 91311
 Tel., (818) 341-8091 - Fax (818) 998-1986
 Web Site <http://www.hevilite.com>

CUSTOM NUMBER:
C02583