

SPECIFICATIONS

DESCRIPTION:

High output adjustable LED accent fixture. Suitable for wet/damp/dry location installations.

MATERIAL:

Standard overall material is 6061 aluminum.

FINISH:

- AA - Anodized Satin Aluminum
- AP - Powder Coat Aluminum
- BK - Powder Coat Black
- BZ - Powder Coat Bronze
- WT - Powder Coat White

LED OPTIONS:

Integral high output LED module.

LED Output

- L30 - 11.6W, 350mA, 1090 Lumen
- L35 - 15.5W, 500mA, 1450 Lumen
- L40 - 25.4W, 700mA, 2055 Lumen

Color Temperature CCT

- 27 - 2700K CCT
- 30 - 3000K CCT
- 35 - 3500K CCT
- 40 - 4000K CCT

Reflector, Field Replaceable

- SP - Spot, 17°
- NF - Narrow Flood, 24°
- FL - Flood, 36°
- WFL - Wide Flood, 60°

VOLTAGE:

Requires remote LED driver. 120V Leading edge/trailing edge dimmable. 277V dimmable in 0-10V only. Constant current remote LED Driver included. See driver options.

- 120-277 - 120-277V LED driver
- 120-277-010 - 120-277V 0-10V Dimming Driver

DRIVER OPTIONS:

Fixture includes HL-RD remote LED driver enclosure (3R rated stainless steel enclosure) standard. Driver options available in place of HL-RD for direct burial, surface, ground and wall mounting available.

- H-POD-LED-L** - Remote direct burial driver.
- HLD-CBB-L** - Composite burial box for driver w/fixture mount.
- SMED-L** - Surface mount driver canopy.
- WMED-L** - Wall mount driver canopy.
- GM-9-L** - LED Driver in PVC Post / Ground Spike

MOUNTING:

Fixture is designed with a 1/2-NPS adjustable mounting stem.

OPTIONS:

- Glare shield
- GL-920 - Angled, aluminum
- GL-921 - Straight, aluminum
- GL-922 - Align Angle, aluminum
- Lenses/Louvers/Color Filters
- LA-1-920 - Hexcell Louver (Black)
- LA-2-920 - Prismatic lens
- LA-3-920 - Linear spread lens
- LA-4-920 - Soft focus lens (diffused)
- LA-5-920 - Moonlight lens
- LA-6-920 - Blue lens

See fixture accessories for more information.

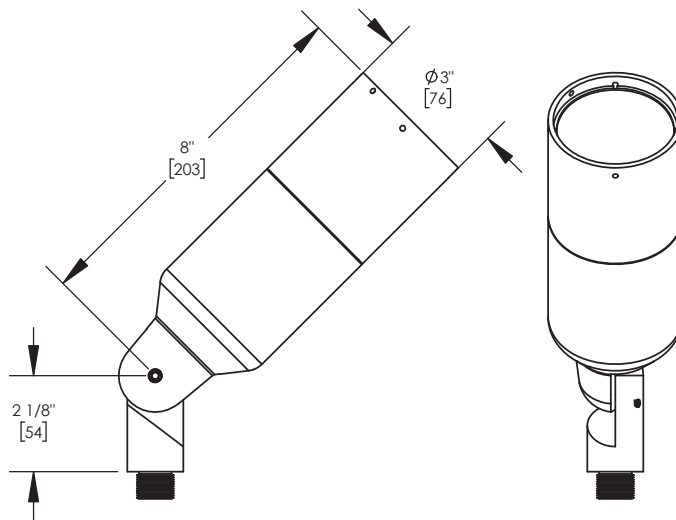
SAMPLE ORDER SPECIFICATION:

HL-921-BZ-L40-30-FL-120-277-SMED-L40

HL-921 is listed and warranted only for use with HL-Drivers. See driver options above.

RATING:

Wet/damp/dry location.



MADE IN THE USA

ORDER SPECIFICATION: _____ - _____ - _____ - _____ - _____
Fixture Finish LED Options Voltage Options/Access.

PROJECT: _____
 APPROVED: _____
 NOTE: _____
 TYPE: _____

HEVI LITE, INC.
 9714 Variel Ave, Chatsworth, CA 91311
 Tel., (818) 341-8091 - Fax (818) 998-1986
 Web Site <http://www.hevilite.com>

CATALOG NUMBER:
HL-921